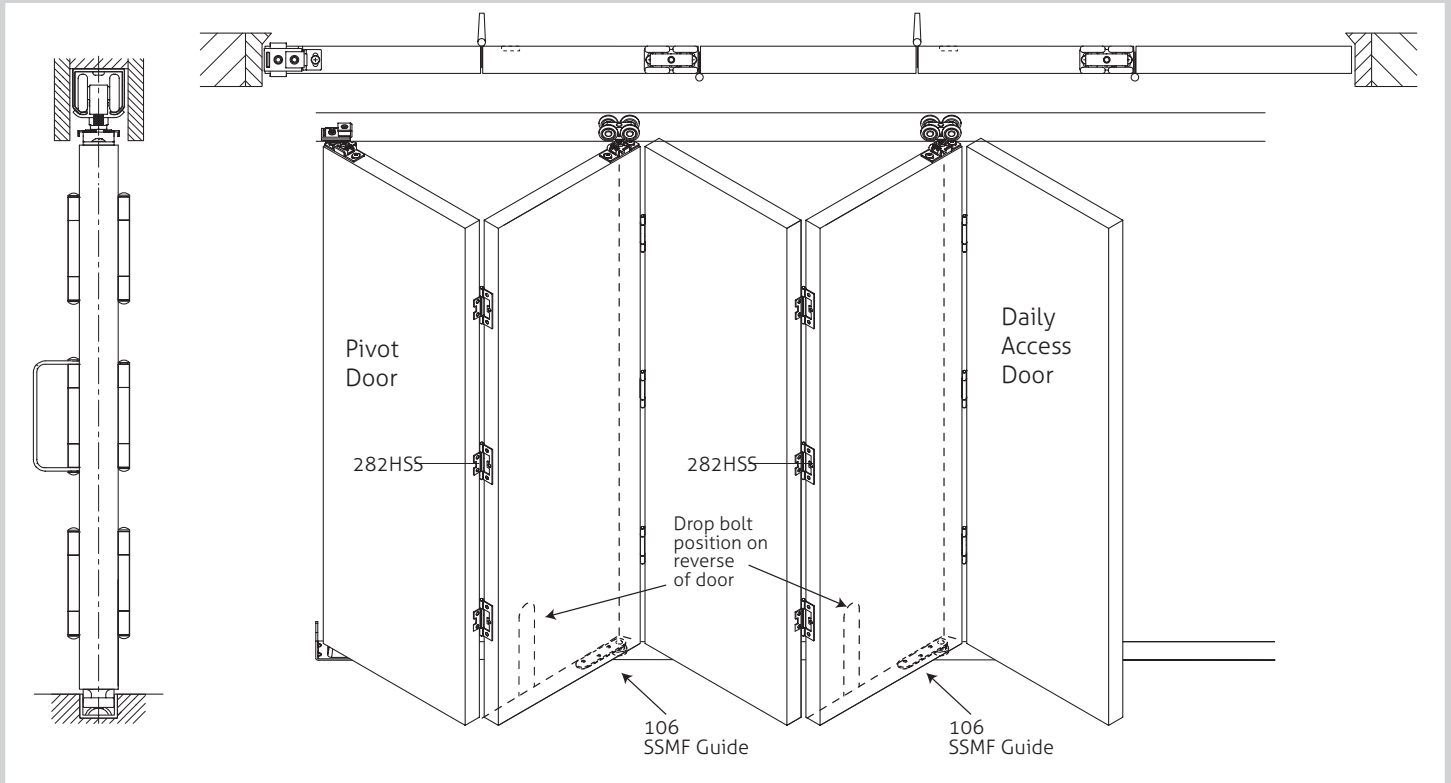


ROOMFOLD DELUXE RANGE 5 DOOR SYSTEM 5+0 Door Pattern

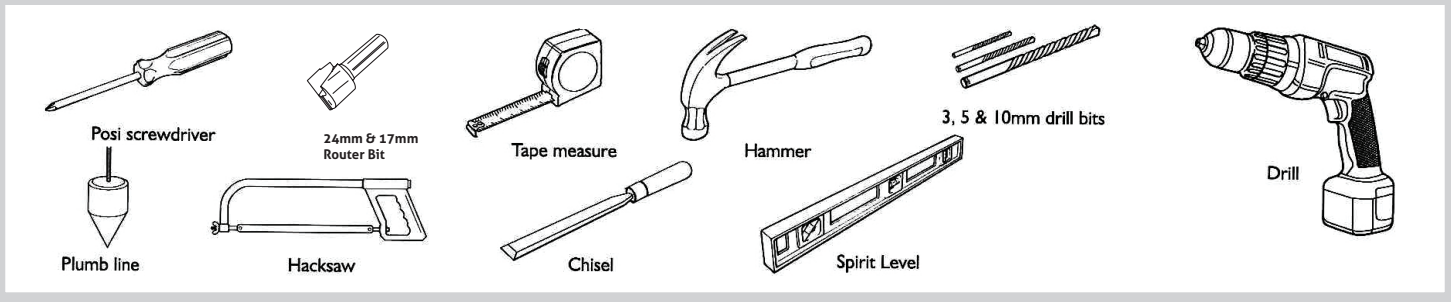
CLIMADOOR

SUPERIOR QUALITY – REALISTIC PRICE

SYSTEM OVERVIEW



TOOLS REQUIRED



IMPORTANT

Please note: You can only assemble these door configurations by using the frame provided. Your warranty will be invalid if other alternatives are used. All loads are taken by the top track to ensure smooth, light operation and long life. Prior to installing this doorset, inspect for damage and do not proceed to fit if any noticeable damage or defect is evident. This doorset should be stored in a dry flat location before installation.

CAUTION



SAFETY: This product needs to be installed by a competent tradesperson with assistance. Two people are required to carry out the installation, as some components are heavy. The outer frame requires fixing to the supporting structure above the opening. The opening **MUST** be capable of carrying the load of the doorset in all conditions.

Thank you for purchasing your "roomfold deluxe" system. This set comes complete with drop bolts, base track And guides and gives you the opportunity to fill opening widths between 1993mm wide and 3898mm wide. All options are fully reversible allowing you to position the daily access door on either side of the opening.

The smooth operation of this door system allows individual door leaves up to 762mm wide to be used.

NB: System is supplied without handles/latch.

CLIMADOOR Roomfold **Deluxe**
5+0 Door System

01 FRAME SIZE AND DOOR OPTIONS

Check you have correct frame for the door pattern you have ordered. Frame pack size supplied.

No Doors / frame size ordered	Door Pattern / Size ordered	Frame pack size supplied.			
		1905mm x 2078mm	2361mm x 2078mm	3128mm x 2078mm	4652mm x 2078mm
5 door - 1983mm x 2078mm - Slimline	5 + 0 x 381mm Doors (15")	✓			
5 door - 2173mm x 2078mm - Slimline	5 + 0 x 419mm Doors (16.5")	✓			
5 door - 2363mm x 2078mm - Slimline	5 + 0 x 457mm Doors (18")		✓		
5 door - 2743mm x 2078mm	5 + 0 x 533mm Doors (21")		✓		
5 door - 2943mm x 2078mm	5 + 0 x 573mm Doors (22.5")			✓	
5 door - 3128mm x 2078mm	5 + 0 x 610mm Doors (24")			✓	
5 door - 3508mm x 2078mm	5 + 0 x 686mm Doors (27")				✓
5 door - 3888mm x 2078mm	5 + 0 x 762mm Doors (30")				✓

02 RECOMMENDED STRUCTURAL OPENING SIZES

Check your structural opening for squareness & referring to the table below, check that it is a minimum of those stated for your product.

No Doors / frame size ordered	Door Pattern / Size ordered	Structural Width (mm)	Structural Height (mm)
5 door - 1983mm x 2078mm - Slimline	5 + 0 x 381mm Doors (15")	1993	2084
5 door - 2173mm x 2078mm - Slimline	5 + 0 x 419mm Doors (16.5")	2183	2084
5 door - 2363mm x 2078mm - Slimline	5 + 0 x 457mm Doors (18")	2373	2084
5 door - 2743mm x 2078mm	5 + 0 x 533mm Doors (21")	2753	2084
5 door - 2943mm x 2078mm	5 + 0 x 573mm Doors (22.5")	2953	2084
5 door - 3128mm x 2078mm	5 + 0 x 610mm Doors (24")	3138	2084
5 door - 3508mm x 2078mm	5 + 0 x 686mm Doors (27")	3518	2084
5 door - 3888mm x 2078mm	5 + 0 x 762mm Doors (30")	3898	2084



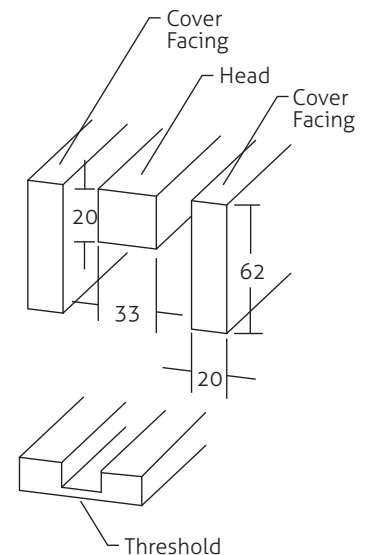
The recommended structural opening sizes give a clearance of 10mm on the width & 6mm on the height to allow the frame to be installed square in the opening.

Suggestion - Highlight the table to ensure you are working with the correct option before starting work.

03 HEAD AND SILL LENGTH REQUIREMENTS

Cut down your timber frame head, cover facings and sill to the size associated with your door pattern.

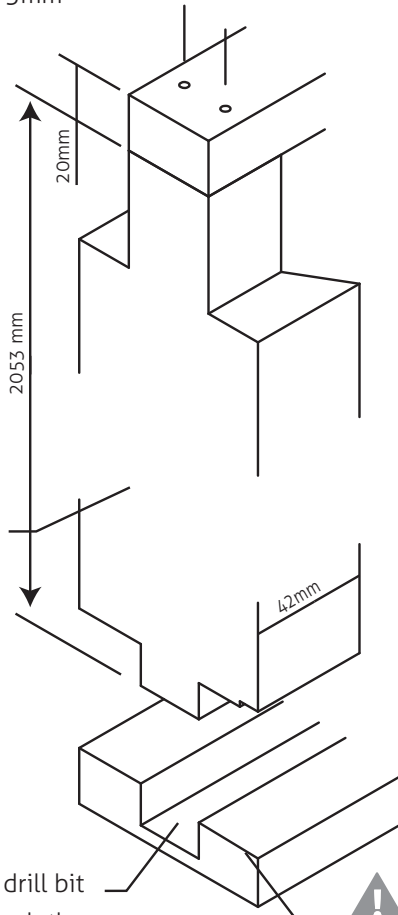
No Doors / frame size ordered	Door Pattern / Size ordered	Structural Width (mm)	Structural Height (mm)
5 door - 1983mm x 2078mm - Slimline	5 + 0 x 381mm Doors (15")	1983	2078mm
5 door - 2173mm x 2078mm - Slimline	5 + 0 x 419mm Doors (16.5")	2173	2078mm
5 door - 2363mm x 2078mm - Slimline	5 + 0 x 457mm Doors (18")	2363	2078mm
5 door - 2743mm x 2078mm	5 + 0 x 533mm Doors (21")	2743	2078mm
5 door - 2943mm x 2078mm	5 + 0 x 573mm Doors (22.5")	2943	2078mm
5 door - 3128mm x 2078mm	5 + 0 x 610mm Doors (24")	3128	2078mm
5 door - 3508mm x 2078mm	5 + 0 x 686mm Doors (27")	3508	2078mm
5 door - 3888mm x 2078mm	5 + 0 x 762mm Doors (30")	3888	2078mm



Suggestion - Highlight the table to ensure you are working with the correct option before starting work.

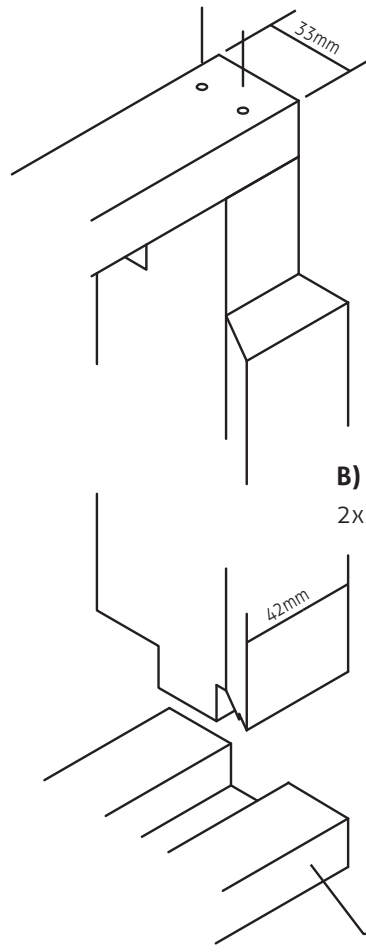
04 ASSEMBLE FRAME

A) Using a 3mm drill bit, drill 2 holes through the head & into the top of the frame jamb to approximate depth 75mm



JambHeight - 2053mm to suit doors 1981mm high doors

Using a 3mm drill bit drill 2 holes through the sill/threshold into the underside of the frame jamb



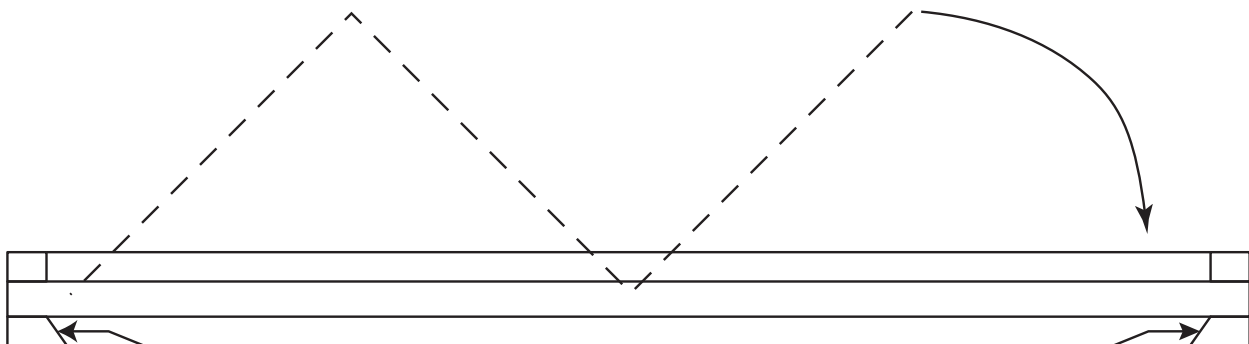
B) Fix the jambs both ends using 2x No.10 x 75mm screws

Wooden threshold sill
Cut to length

! IMPORTANT

Ensure the semi rebates on both frame jambs are positioned to this side of sill/threshold

PLAN VIEW



NB: Doors open away from semi rebate. So please ensure you position the frame in the opening correctly

05 SECURE THE FRAME IN THE OPENING

Using appropriate fixings attach the frame through both jambs at 450mm centres

IMPORTANT

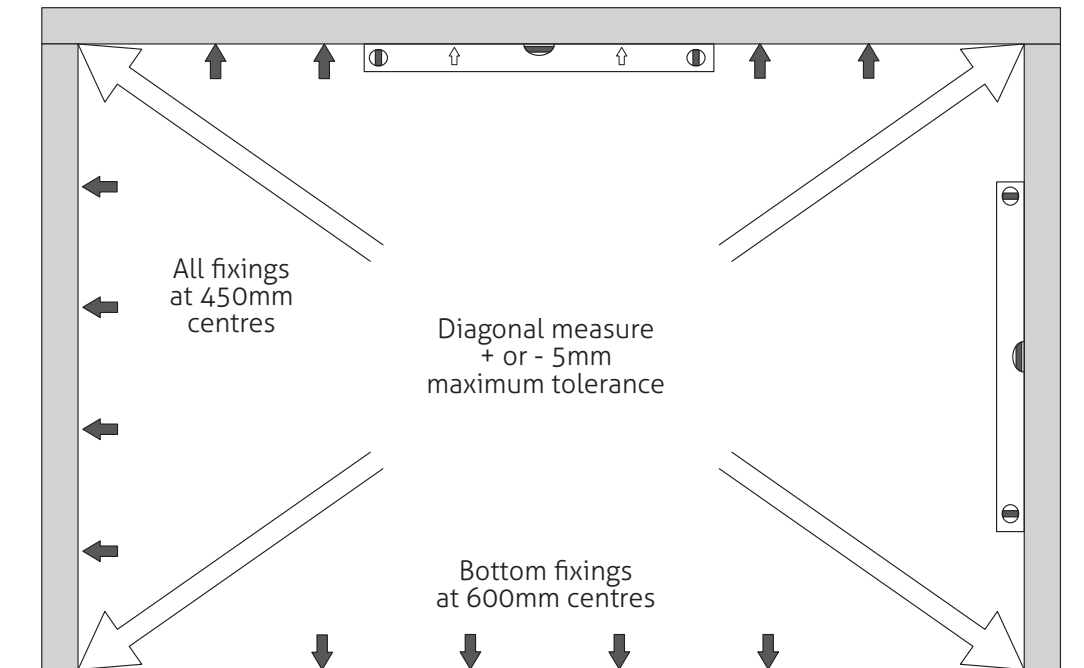
Check the frame is accurately square and plumb. Do not proceed with installation until the frame is accurately installed. Once the frame is installed check the rebate dimensions are correct to your chosen configuration of doors from the table.

When fixing into the floor be careful not to cause the base track & threshold to bow or twist, or the operation of the doors could be affected. After fixing re-check that the frame remains square and parallel.

Check your internal rebate measurement.

INTERNAL REBATE SIZES FOR ALL OPTIONS

No Doors / Frame Size ordered	Door Pattern / Size Ordered	Head / Sill Cut length required (mm)	Internal Rebate Check
5 door - 1983mm x 2078mm - Slimline	5 + 0 x 381mm Doors (15")	1983	1923
5 door - 2173mm x 2078mm - Slimline	5 + 0 x 419mm Doors (16.5")	2173	2113
5 door - 2363mm x 2078mm - Slimline	5 + 0 x 457mm Doors (18")	2363	2303
5 door - 2743mm x 2078mm	5 + 0 x 533mm Doors (21")	2743	2683
5 door - 2943mm x 2078mm	5 + 0 x 573mm Doors (22.5")	2943	2883
5 door - 3128mm x 2078mm	5 + 0 x 610mm Doors (24")	3128	3068
5 door - 3508mm x 2078mm	5 + 0 x 686mm Doors (27")	3508	3448
5 door - 3888mm x 2078mm	5 + 0 x 762mm Doors (30")	3888	3828

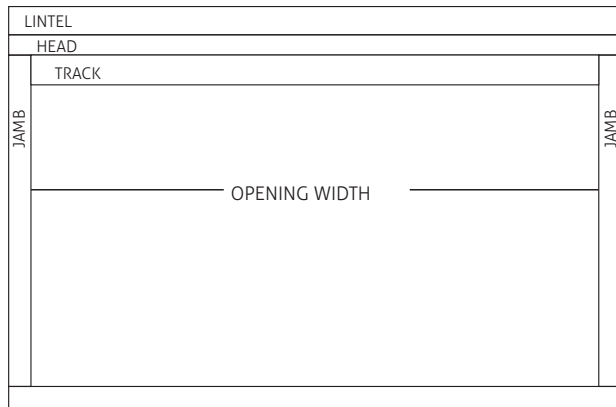


NOTE

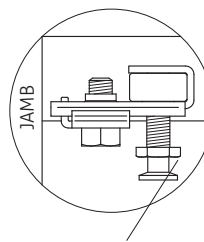
The threshold & frame head must be installed parallel to each other for correct door operation. Take care not to over-tighten bottom fixings causing base track & threshold to bend to your floor profile - pack as necessary under threshold.

06 INSTALL THE HEAD TRACK AND BASE CHANNEL

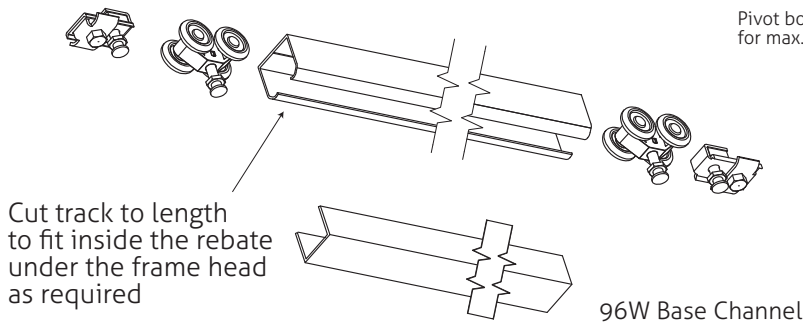
Insert all hangers and top pivots required for your application into the track in correct order. Then screw track into lintel, through the frame head. Clean down inside of track once fixed in position.



Cut the 96W aluminium base channel to length and fit inside wooden threshold. Allow room for wall bracket 806 (See section 08)



Pivot bolt away from jamb for max. opening.

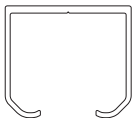


96W Base Channel

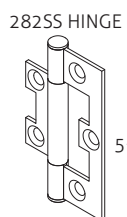
07 INSTALLING YOUR DOORS

PACK COMPONENTS

60 TRACK TOP



1 No.

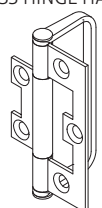


5+0 = 10

96W CHANNEL BASE

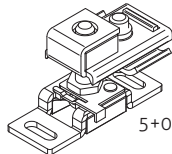


1 No.



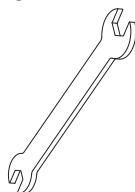
5+0 = 2

818 TOP PIVOT



5+0 = 1

805-SPN SPANNER

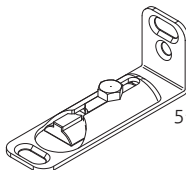


802 BOTTOM PIVOT



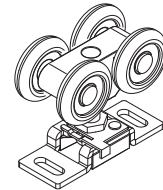
5+0 = 1

806WALL BRACKET



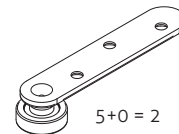
5+0 = 1

605 HANGER



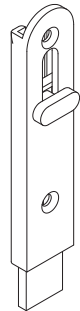
5+0 = 2

106SSMF GUIDE



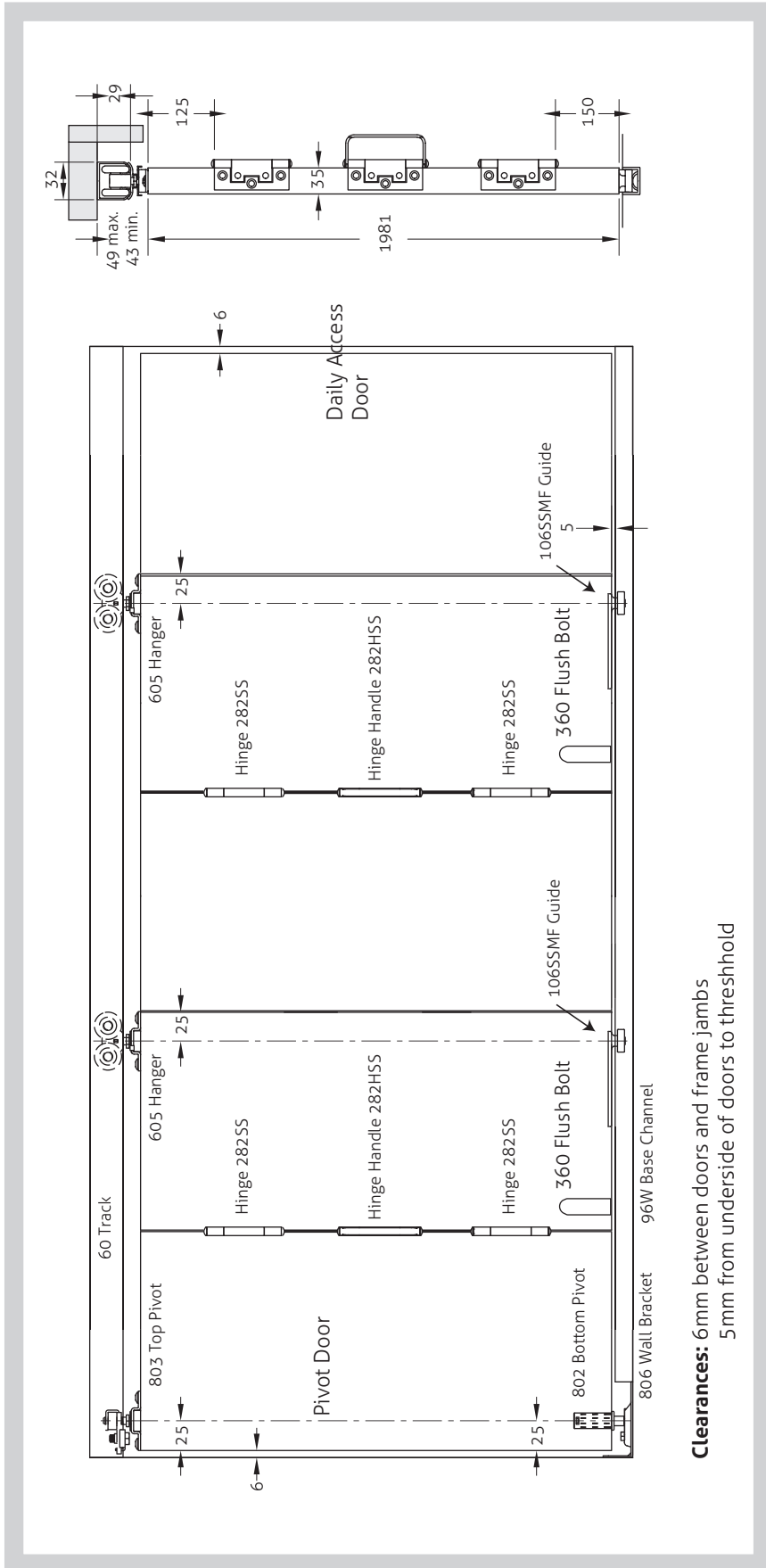
5+0 = 2

360 DROP BOLT

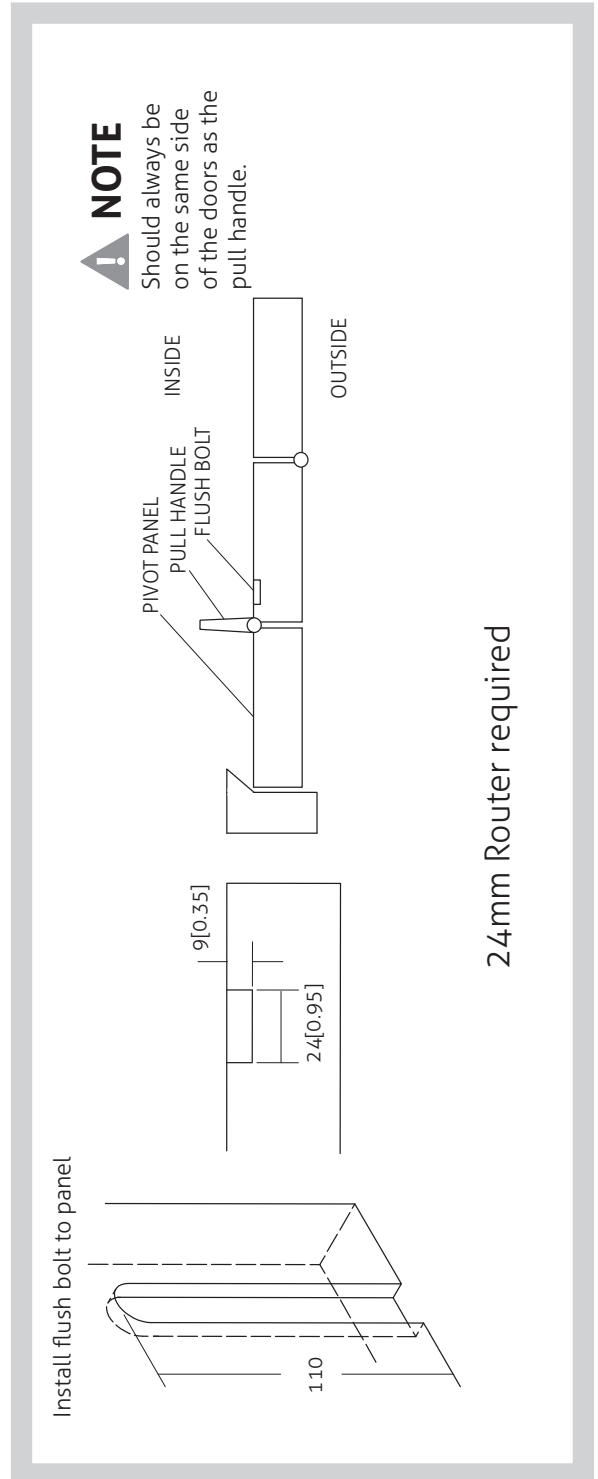


5+0 = 2

08 HARDWARE LAYOUT

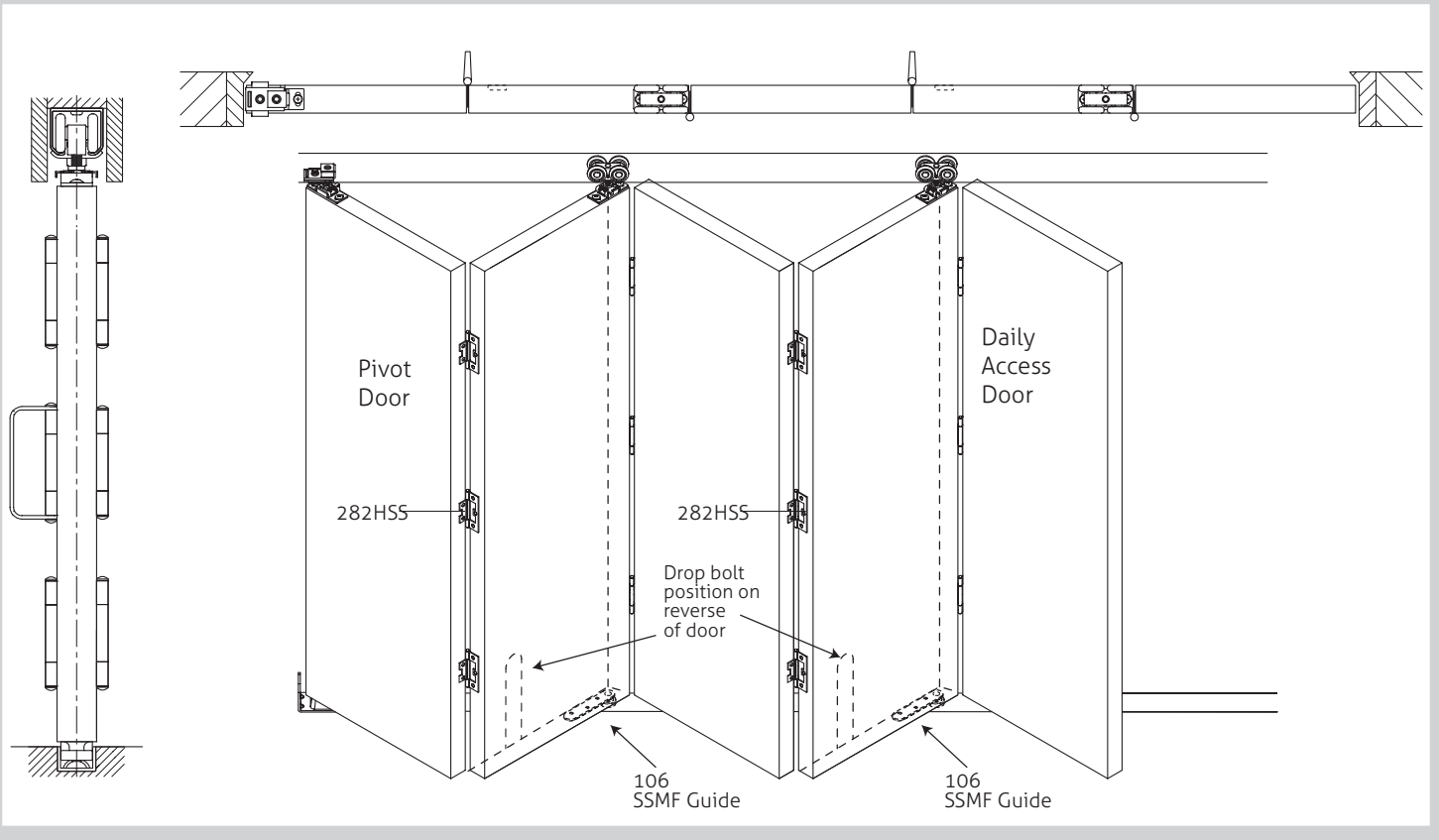


09 FLUSH BOLT MACHINING



10 FIT HARDWARE ON LEAVES

Attach hinges as shown below

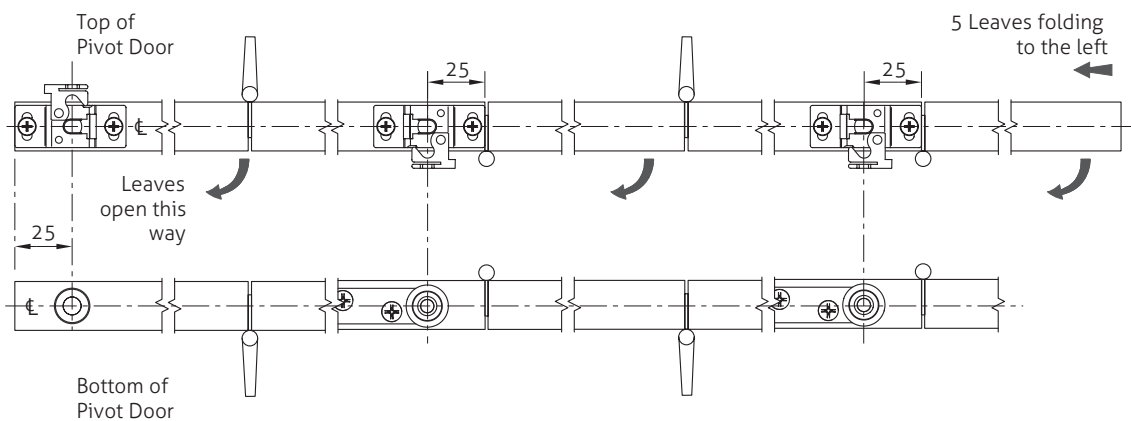


11 FIT PIVOT, GUIDES AND HANGER PLATES

Attach hinges as shown below

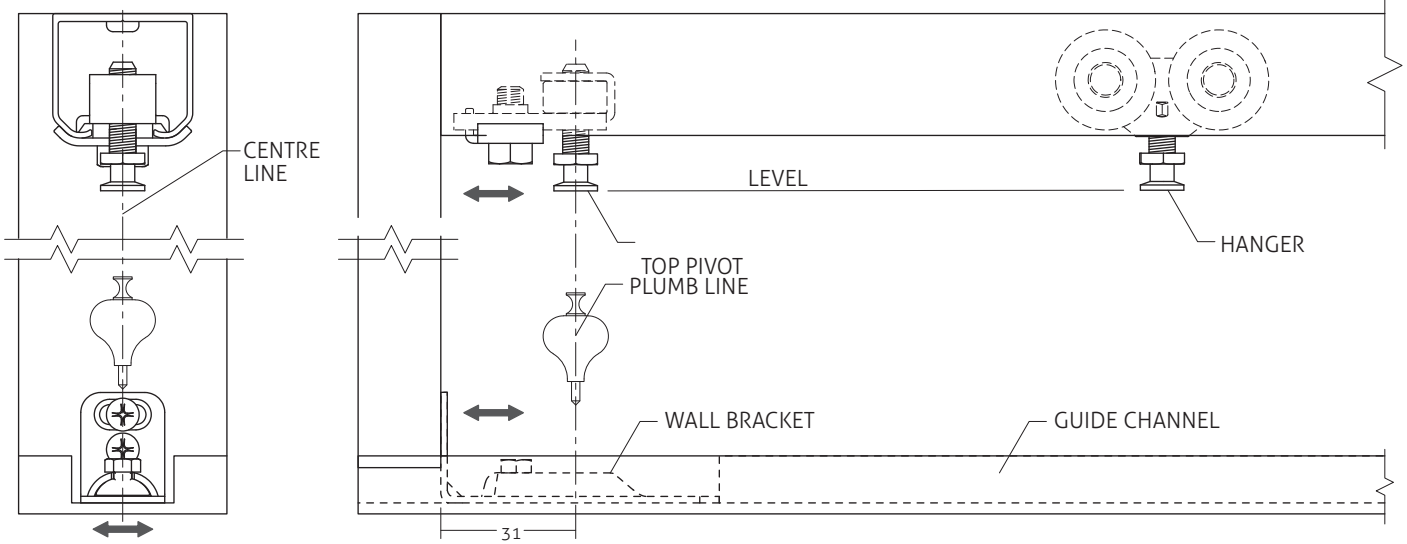
Fit Pivot, Guides and Hanger Plates

To top and bottom as shown. Use screws supplied & pre drill pilot holes to prevent splitting



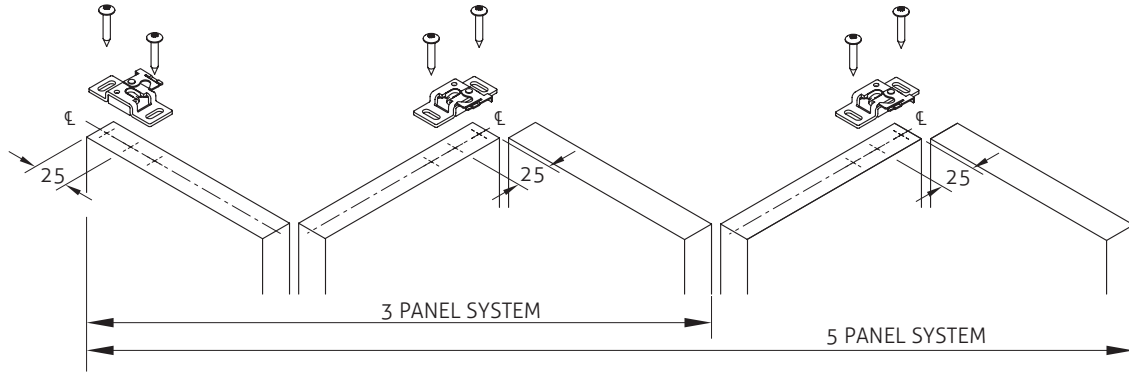
12 POSITION TOP PLATE AND WALL BRACKET

Fit top pivot into position. Centre of floor bracket to be plumb below the centre line of track. Fasten bracket using screws supplied.

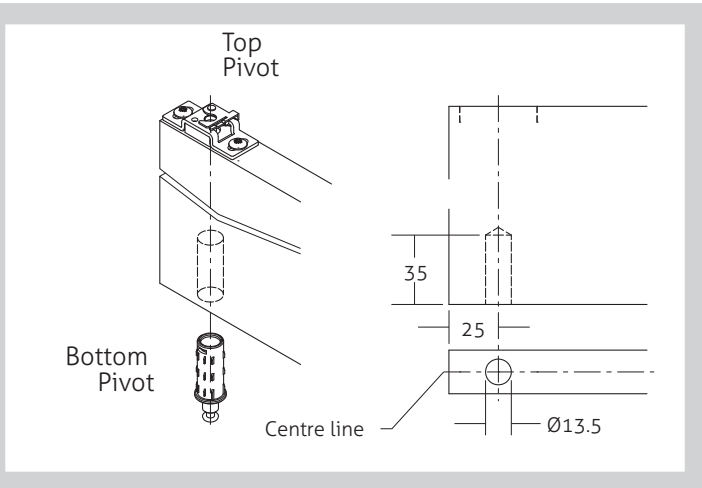


13 PRE DRILL PILOT HOLES DETAIL

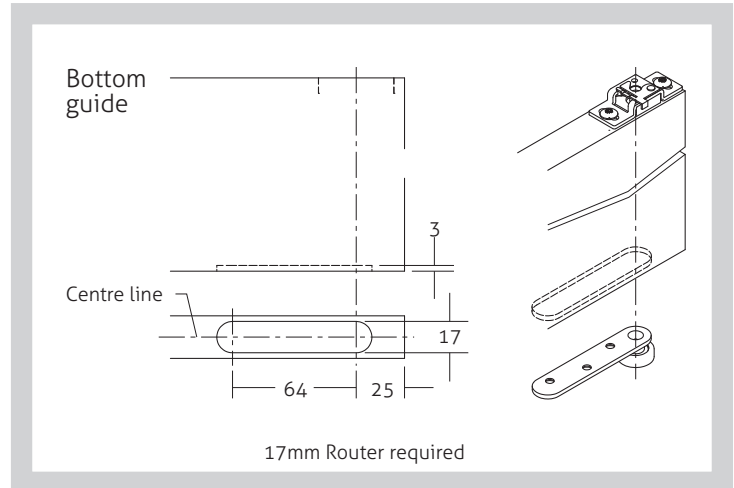
Pre-drill pilot holes diameter 3mm x 25 deep for mounting plates.



14 BOTTOM PIVOT DETAIL

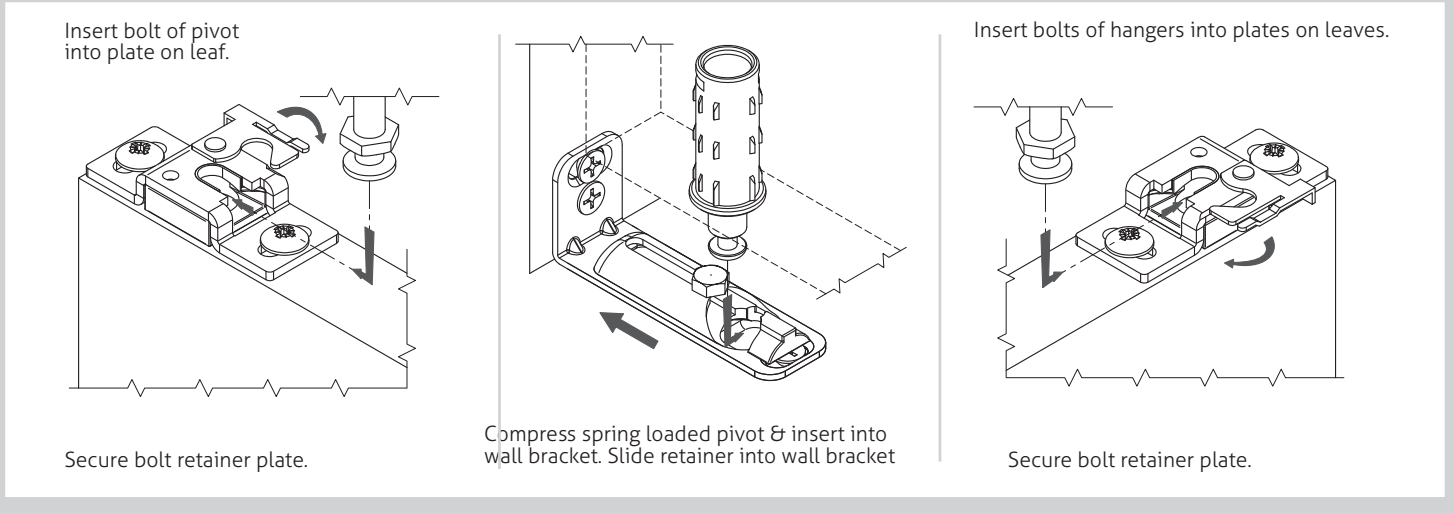


15 BOTTOM GUIDE ROUTER DETAIL

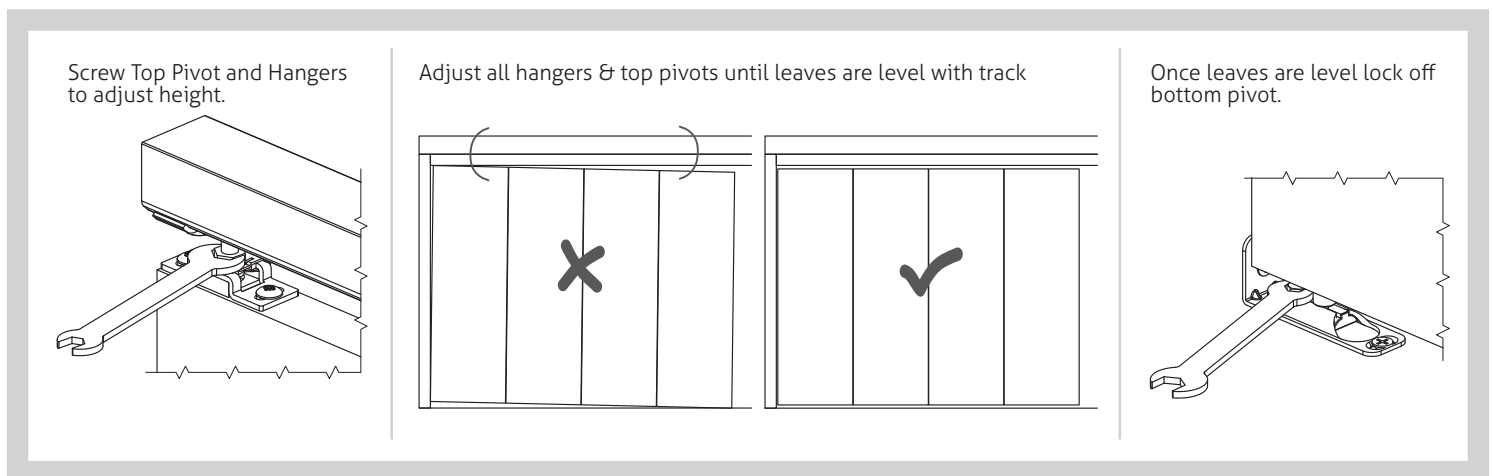


16 FIT LEAVES - DETAIL

With clips on plates open & inner retainer of wall bracket protruding

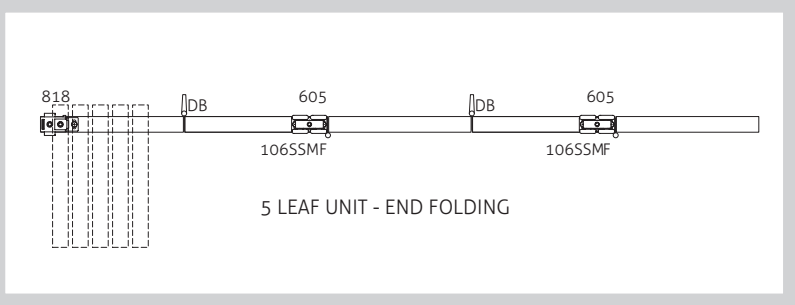


17 ADJUST HEIGHT & ALIGN LEAVES

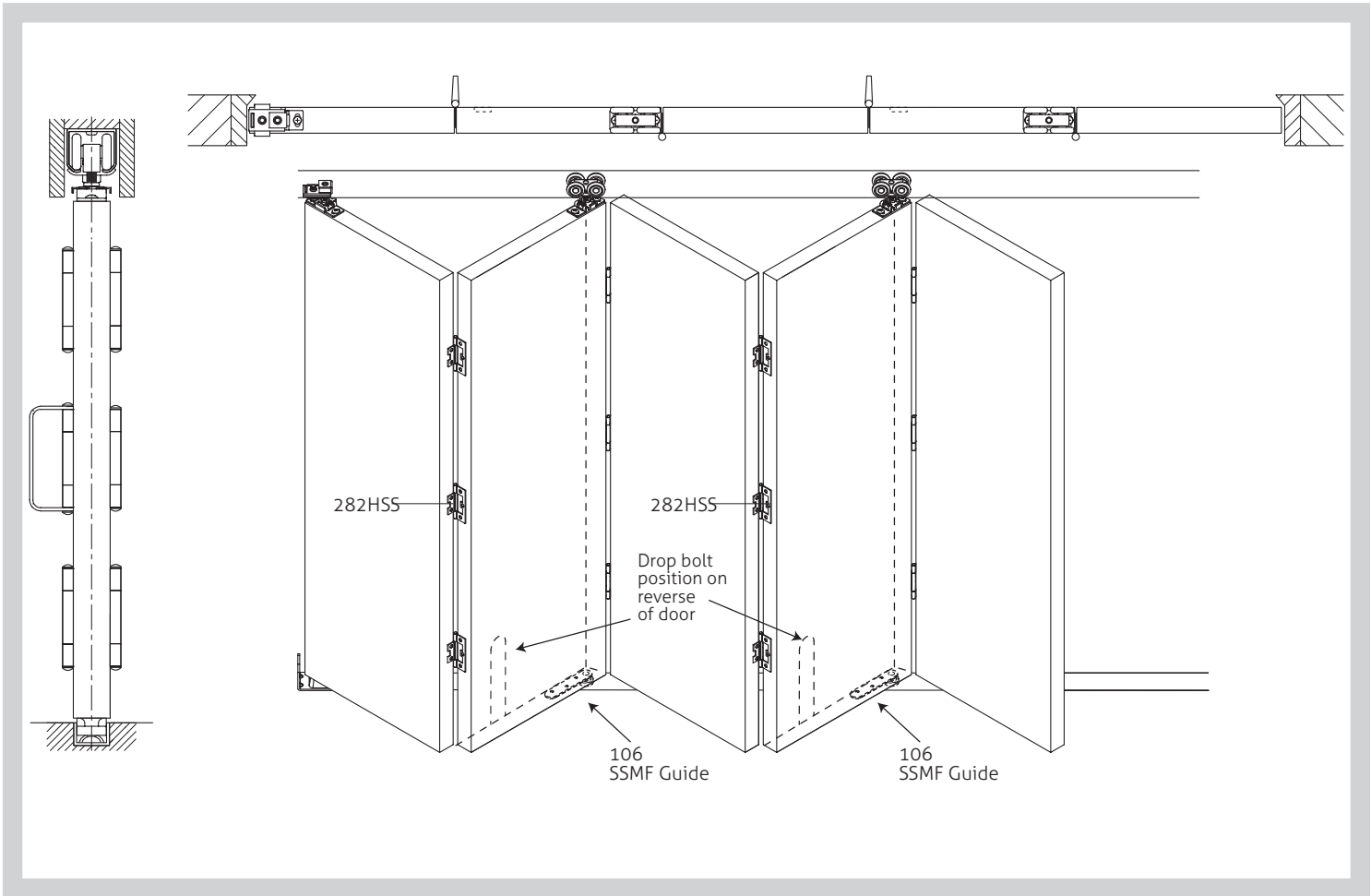


18 DOOR HARDWARE SET ORIENTATION

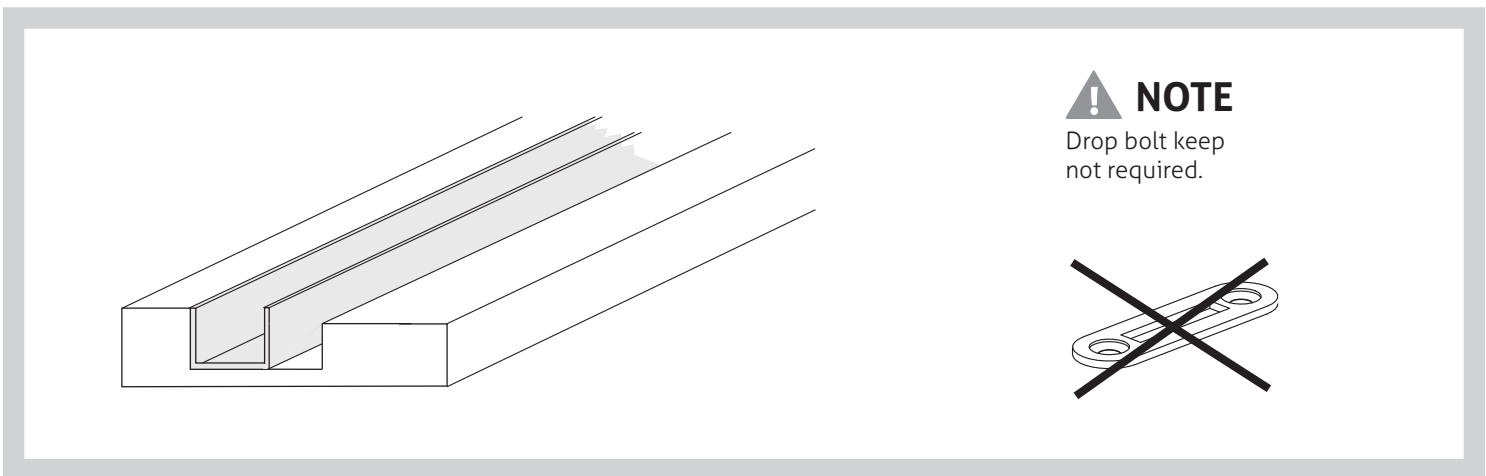
DB= Drop Bolt. Left systems shown.



19 SYSTEM OVERVIEW CHECK



20 FITTING DROP BOLT KEEPS



NOTES:

.....

.....

.....

.....

.....

.....

.....

.....

.....

.....

.....

.....

.....

.....

.....

.....

.....

.....

.....

.....

.....

.....

.....



CLIMADOOR