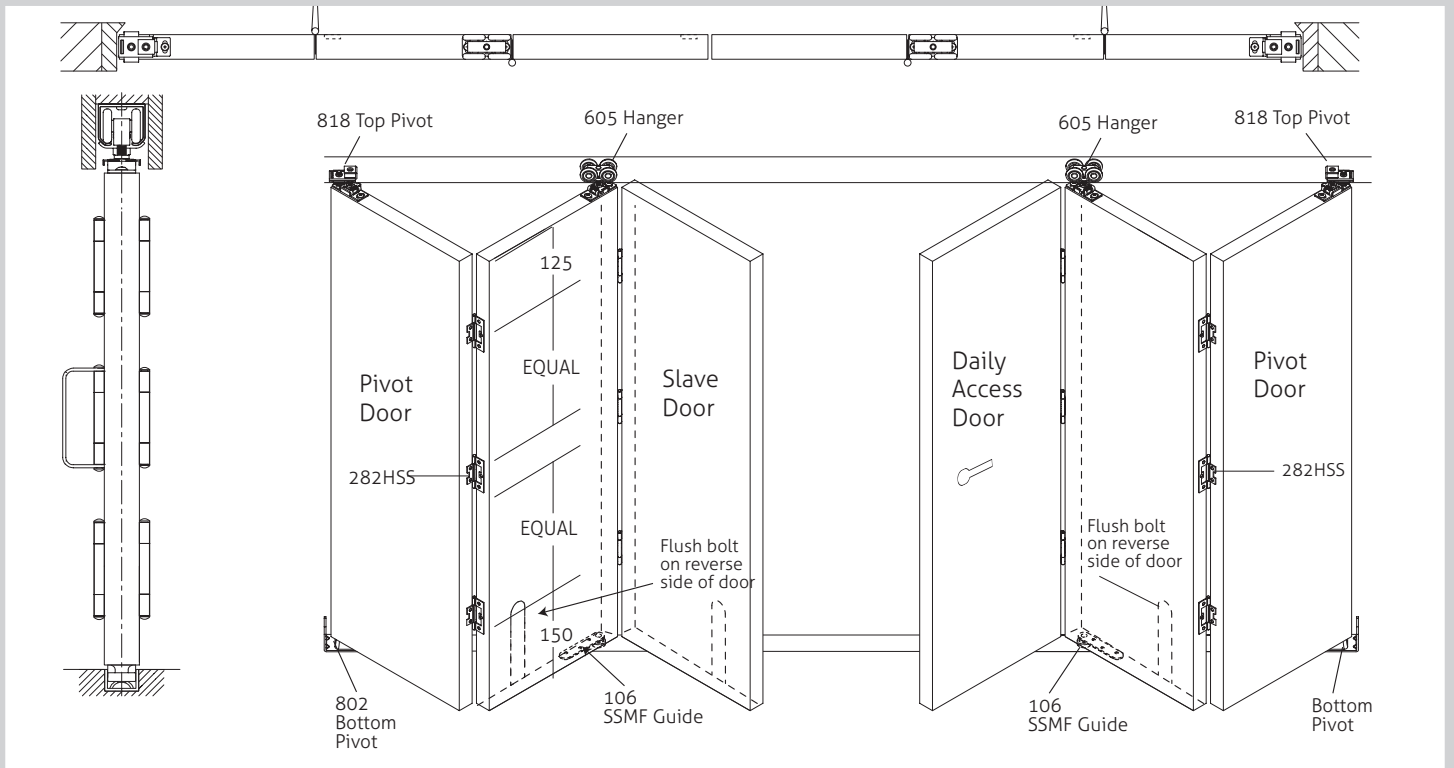


ROOMFOLD DELUXE RANGE 6 DOOR SYSTEM 3+3 & 5+1 Door Pattern

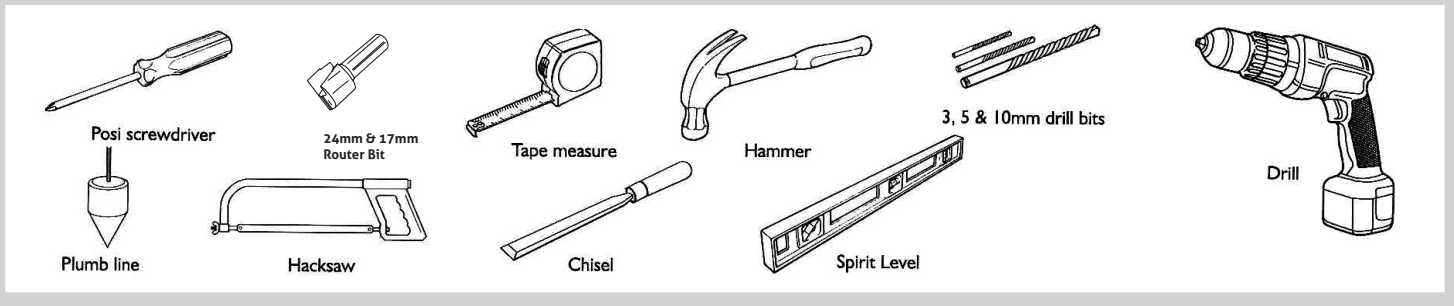
CLIMADOOR

SUPERIOR QUALITY – REALISTIC PRICE

SYSTEM OVERVIEW



TOOLS REQUIRED



IMPORTANT

Please note: You can only assemble these door configurations by using the frame provided. Your warranty will be invalid if other alternatives are used. All loads are taken by the top track to ensure smooth, light operation and long life. Prior to installing this doorset, inspect for damage and do not proceed to fit if any noticeable damage or defect is evident. This doorset should be stored in a dry flat location before installation.

CAUTION



SAFETY: This product needs to be installed by a competent tradesperson with assistance. Two people are required to carry out the installation, as some components are heavy. The outer frame requires fixing to the supporting structure above the opening. The opening **MUST** be capable of carrying the load of the doorset in all conditions.

Thank you for purchasing your "roomfold deluxe" system. This set comes complete with drop bolts, base track And guides and gives you the opportunity to fill opening widths between 2376mm wide and 4661mm wide. All options are fully reversible allowing you to position the daily access door on either side of the opening.

The smooth operation of this door system allows individual door leaves up to 762mm wide to be used.

NB: System is supplied without handles/latch.

CLIMADOOR Roomfold **Deluxe**
3 Door System

01 FRAME SIZE AND DOOR OPTIONS

Check you have correct frame for the door pattern you have ordered. Frame pack size supplied.

No Doors / frame size ordered	Door Pattern / Size ordered	Frame pack size supplied.		
		2820mm x 2078mm	3740mm x 2078mm	4652mm x 2078mm
6 door - 2366mm x 2078mm - Slimline	3 + 3 or 5 + 1 x 381mm Doors (15")	✓		
6 door - 2594mm x 2078mm - Slimline	3 + 3 or 5 + 1 x 419mm Doors (16.5")	✓		
6 door - 2820mm x 2078mm - Slimline	3 + 3 or 5 + 1 x 457mm Doors (18")	✓		
6 door - 3278mm x 2078mm	3 + 3 or 5 + 1 x 533mm Doors (21")		✓	
6 door - 3518mm x 2078mm	3 + 3 or 5 + 1 x 573mm Doors (22.5")		✓	
6 door - 3740mm x 2078mm	3 + 3 or 5 + 1 x 610mm Doors (24")		✓	
6 door - 4196mm x 2078mm	3 + 3 or 5 + 1 x 686mm Doors (27")			✓
6 door - 4652mm x 2078mm	3 + 3 or 5 + 1 x 762mm Doors (30")			✓

02 RECOMMENDED STRUCTURAL OPENING SIZES

Check your structural opening for squareness & referring to the table below, check that it is a minimum of those stated for your product.

No Doors / frame size ordered	Door Pattern / Size ordered	Structural Width (mm)	Structural Height (mm)
6 door - 2366mm x 2078mm - Slimline	3 + 3 or 5 + 1 x 381mm Doors (15")	2376	2084
6 door - 2594mm x 2078mm - Slimline	3 + 3 or 5 + 1 x 419mm Doors (16.5")	2604	2084
6 door - 2820mm x 2078mm - Slimline	3 + 3 or 5 + 1 x 457mm Doors (18")	2830	2084
6 door - 3278mm x 2078mm	3 + 3 or 5 + 1 x 533mm Doors (21")	3288	2084
6 door - 3518mm x 2078mm	3 + 3 or 5 + 1 x 573mm Doors (22.5")	3528	2084
6 door - 3740mm x 2078mm	3 + 3 or 5 + 1 x 610mm Doors (24")	3750	2084
6 door - 4196mm x 2078mm	3 + 3 or 5 + 1 x 686mm Doors (27")	4206	2084
6 door - 4652mm x 2078mm	3 + 3 or 5 + 1 x 762mm Doors (30")	4662	2084



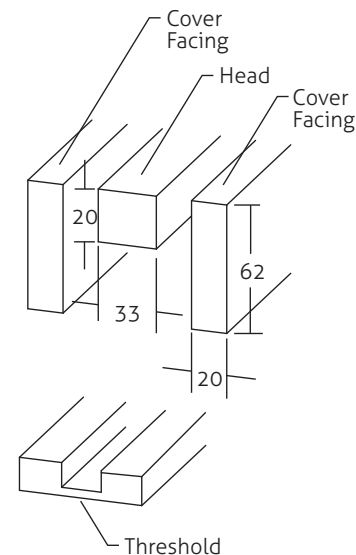
The recommended structural opening sizes give a clearance of 10mm on the width & 6mm on the height to allow the frame to be installed square in the opening.

Suggestion - Highlight the table to ensure you are working with the correct option before starting work.

03 HEAD AND SILL LENGTH REQUIREMENTS

Cut down your timber frame head, cover facings and sill to the size associated with your door pattern.

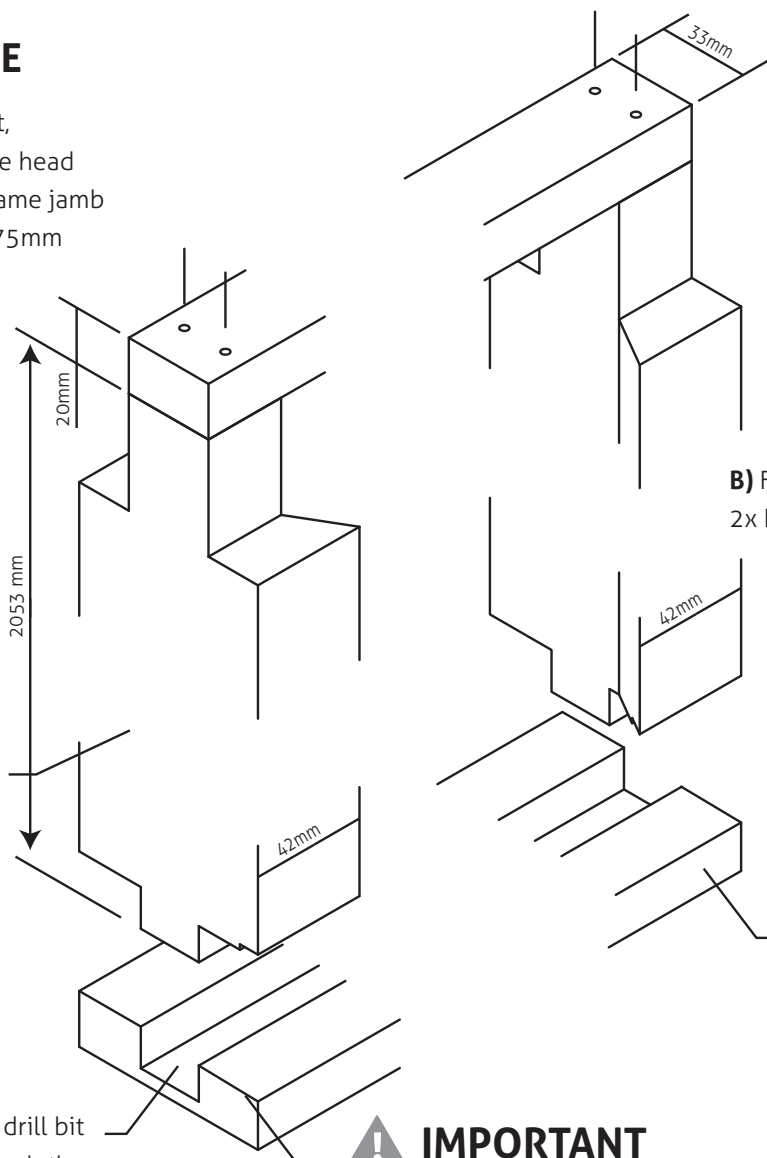
No Doors / frame size ordered	Door Pattern / Size ordered	Structural Width (mm)	Structural Height (mm)
6 door - 2366mm x 2078mm - Slimline	3 + 3 or 5 + 1 x 381mm Doors (15")	2366	2078mm
6 door - 2594mm x 2078mm - Slimline	3 + 3 or 5 + 1 x 419mm Doors (16.5")	2594	2078mm
6 door - 2820mm x 2078mm - Slimline	3 + 3 or 5 + 1 x 457mm Doors (18")	2820	2078mm
6 door - 3278mm x 2078mm	3 + 3 or 5 + 1 x 533mm Doors (21")	3278	2078mm
6 door - 3518mm x 2078mm	3 + 3 or 5 + 1 x 573mm Doors (22.5")	3518	2078mm
6 door - 3740mm x 2078mm	3 + 3 or 5 + 1 x 610mm Doors (24")	3740	2078mm
6 door - 4196mm x 2078mm	3 + 3 or 5 + 1 x 686mm Doors (27")	4196	2078mm
6 door - 4652mm x 2078mm	3 + 3 or 5 + 1 x 762mm Doors (30")	4652	2078mm



Suggestion - Highlight the table to ensure you are working with the correct option before starting work.

04 ASSEMBLE FRAME

A) Using a 3mm drill bit, drill 2 holes through the head & into the top of the frame jamb to approximate depth 75mm



B) Fix the jambs both ends using 2x No.10 x 75mm screws

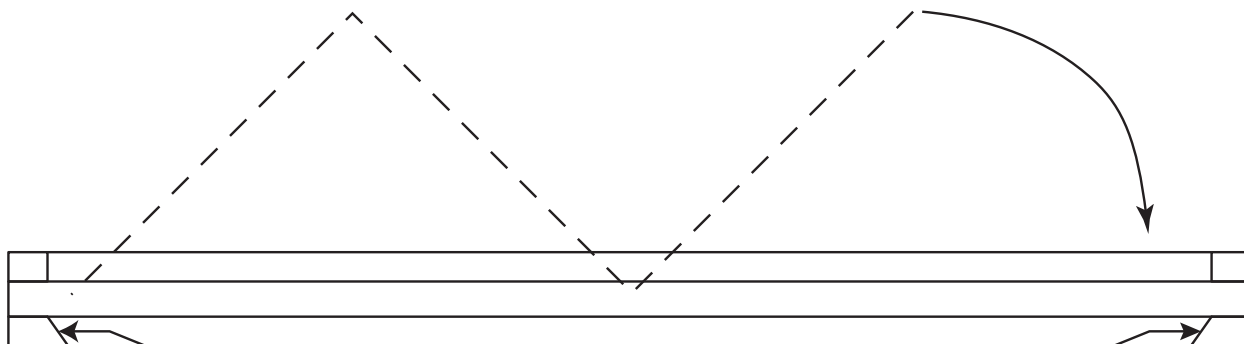
JambHeight - 2053mm to suit doors 1981mm high doors

Using a 3mm drill bit drill 2 holes through the sill/threshold into the underside of the frame jamb

! IMPORTANT

Ensure the semi rebates on both frame jambs are positioned to this side of sill/threshold

PLAN VIEW



NB: Doors open away from semi rebate. So please ensure you position the frame in the opening correctly

05 SECURE THE FRAME IN THE OPENING

Using appropriate fixings attach the frame through both jambs at 450mm centres

IMPORTANT

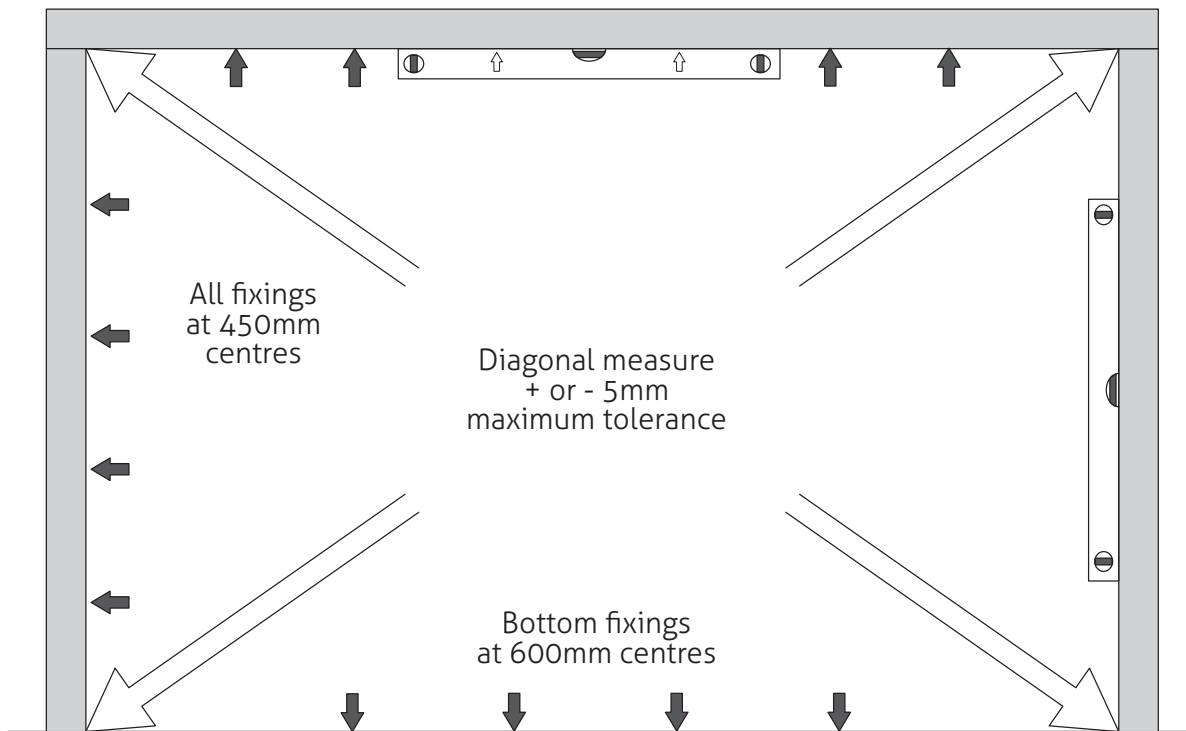
Check the frame is accurately square and plumb. Do not proceed with installation until the frame is accurately installed. Once the frame is installed check the rebate dimensions are correct to your chosen configuration of doors from the table.

When fixing into the floor be careful not to cause the base track & threshold to bow or twist, or the operation of the doors could be affected. After fixing re-check that the frame remains square and parallel.

Check your internal rebate measurement.

INTERNAL REBATE SIZES FOR ALL OPTIONS

No Doors / Frame Size ordered	Door Pattern / Size Ordered	Head / Sill Cut length required (mm)	Internal Rebate Check
6 door - 2366mm x 2078mm - Slimline	3 + 3 or 5 + 1 x 381mm Doors (15")	2366	2306
6 door - 2594mm x 2078mm - Slimline	3 + 3 or 5 + 1 x 419mm Doors (16.5")	2594	2534
6 door - 2820mm x 2078mm - Slimline	3 + 3 or 5 + 1 x 457mm Doors (18")	2820	2760
6 door - 3278mm x 2078mm	3 + 3 or 5 + 1 x 533mm Doors (21")	3278	3218
6 door - 3518mm x 2078mm	3 + 3 or 5 + 1 x 573mm Doors (22.5")	3518	3458
6 door - 3740mm x 2078mm	3 + 3 or 5 + 1 x 610mm Doors (24")	3740	3680
6 door - 4196mm x 2078mm	3 + 3 or 5 + 1 x 686mm Doors (27")	4196	4136
6 door - 4652mm x 2078mm	3 + 3 or 5 + 1 x 762mm Doors (30")	4652	4592

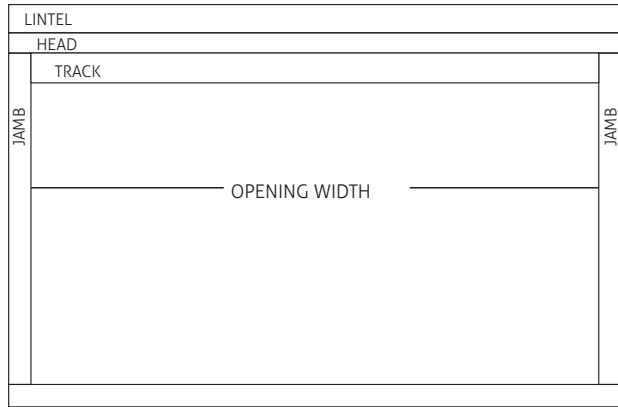


NOTE

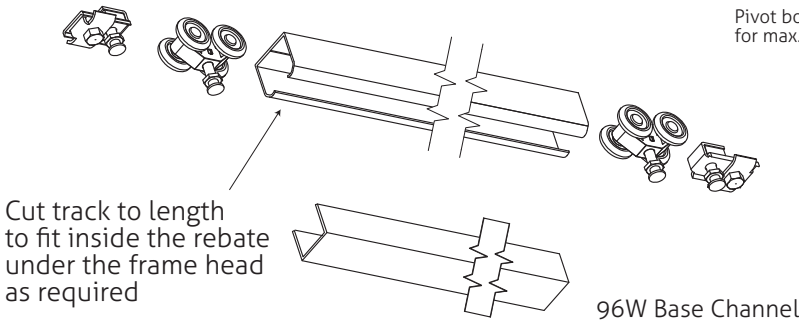
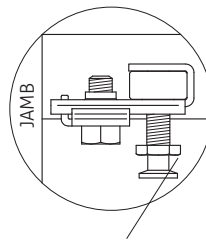
The threshold & frame head must be installed parallel to each other for correct door operation. Take care not to over-tighten bottom fixings causing base track & threshold to bend to your floor profile - pack as necessary under threshold.

06 INSTALL THE HEAD TRACK AND BASE CHANNEL

Insert all hangers and top pivots required for your application into the track in correct order. Then screw track into lintel, through the frame head. Clean down inside of track once fixed in position.



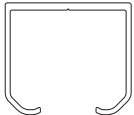
Cut the 96W aluminium base channel to length and fit inside wooden threshold. Allow room for wall bracket 806 (See section 08)



07 INSTALLING YOUR DOORS

PACK COMPONENTS

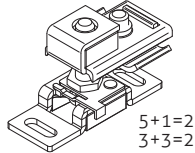
60 TRACK TOP



96W CHANNEL BASE

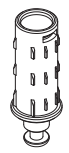


818 TOP PIVOT



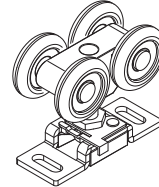
5+1=2
3+3=2

802 BOTTOM PIVOT



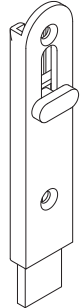
5+1=2
3+3=2

605 HANGER



5+1=2
3+3=2

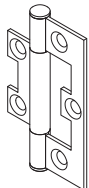
360 DROP BOLT



5+1=3
3+3=3

1 No.

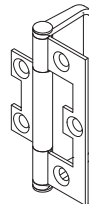
282SS HINGE



5+1=10
3+3=10

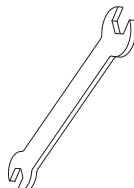
1 No.

282HSS HINGE HANDLE

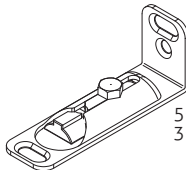


5+1=2
3+3=2

805-SPN SPANNER

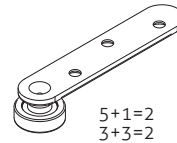


806WALL BRACKET



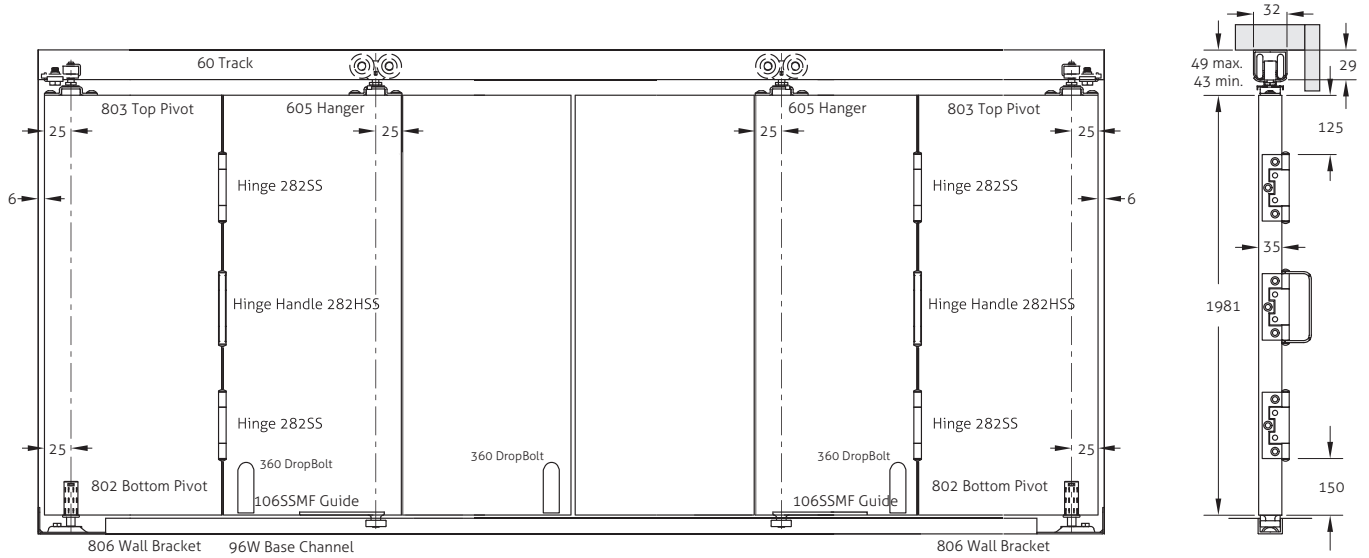
5+1=2
3+3=2

106SSMF GUIDE



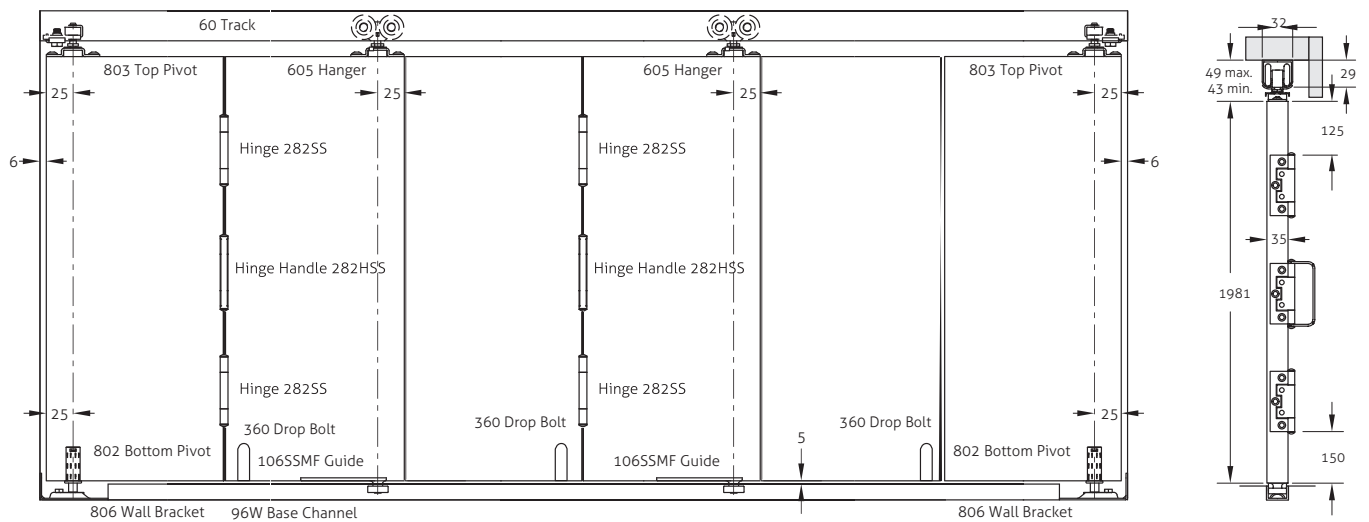
5+1=2
3+3=2

08 HARDWARE LAYOUT 3+3



Clearances: 6mm between doors and frame jambs
5mm from underside of doors to threshold

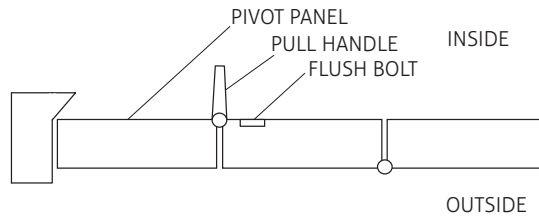
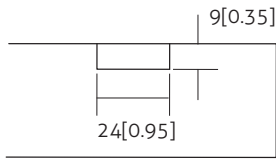
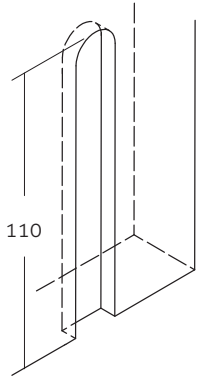
09 HARDWARE LAYOUT 5+1



Clearances: 6mm between doors and frame jambs
5mm from underside of doors to threshold

10 FLUSH BOLT MACHINING

Install flush bolt to panel

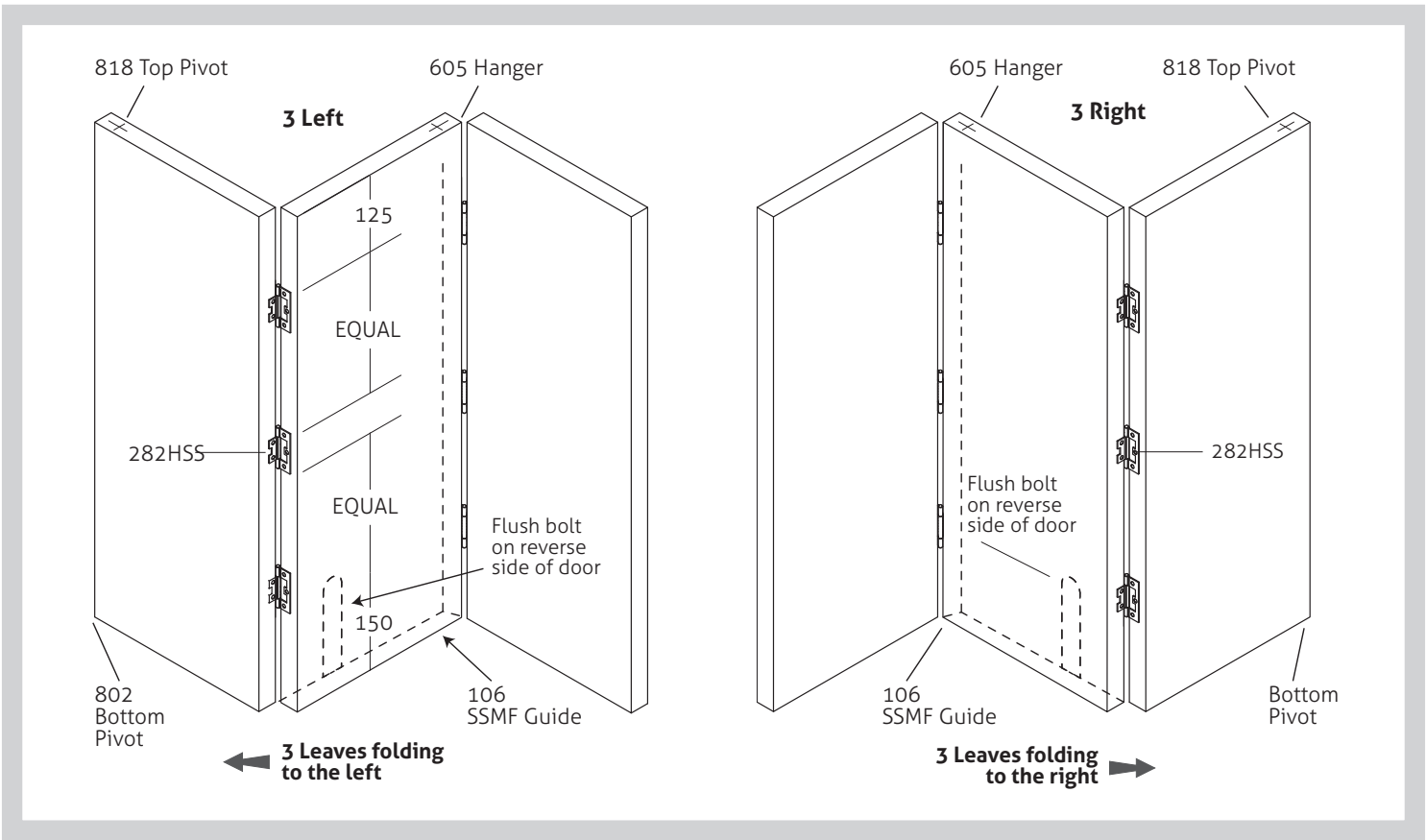


! NOTE

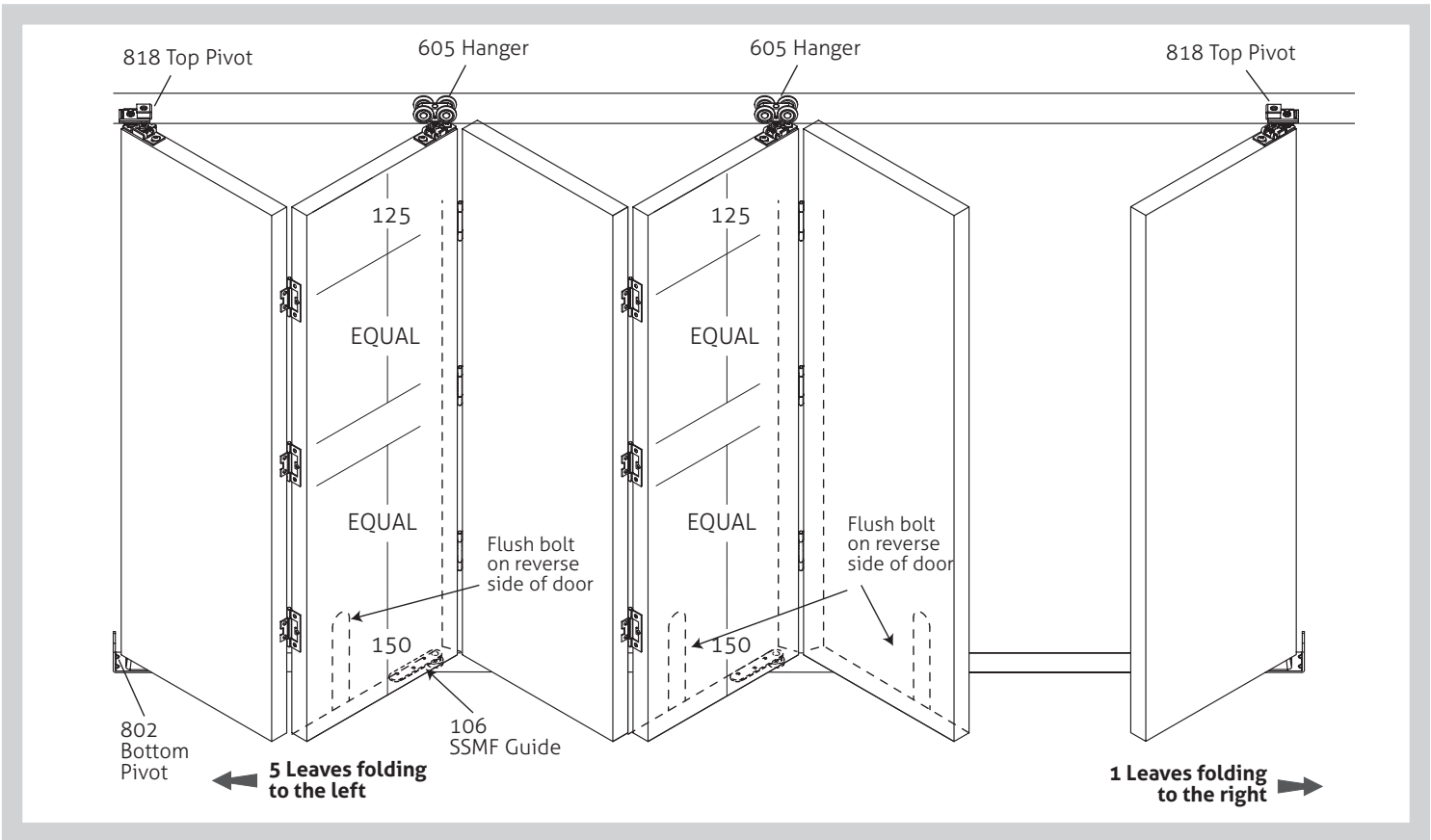
Should always be on the same side of the doors as the pull handle.

24mm Router required

11 FIT HARDWARE ON LEAVES 3+3



11 B FIT HARDWARE ON LEAVES 5+1

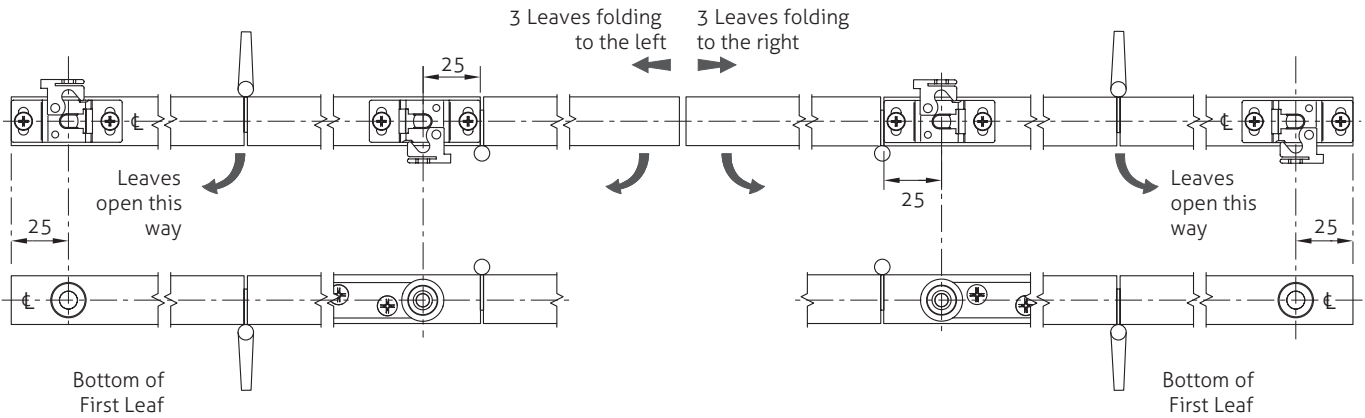


12 FIT PIVOT, GUIDES AND HANGER PLATES 3+3 SET

3+3 Set

Fit Pivot, Guides and Hanger Plates

To top and bottom as shown. Use screws supplied & pre drill pilot holes to prevent splitting



! NOTE

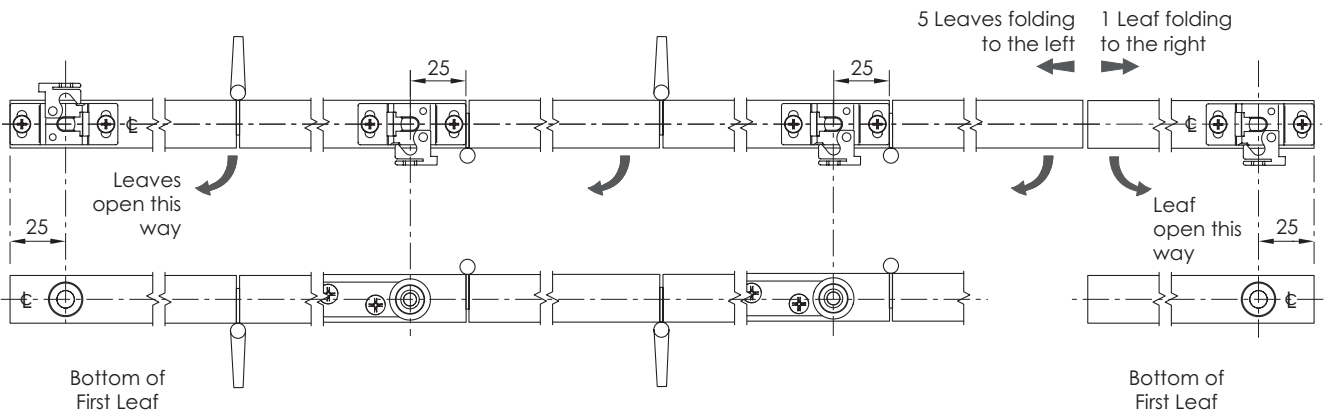
The opening in mounting plates must face away from closest panel end. The steel clip must open away from the direction in which the leaves fold. As shown. If installed incorrectly doors could drop out.

12 B FIT PIVOT, GUIDES AND HANGER PLATES 5+1 SET

5+1 Set

Fit Pivot, Guides and Hanger Plates

To top and bottom as shown. Use screws supplied & pre drill pilot holes to prevent splitting

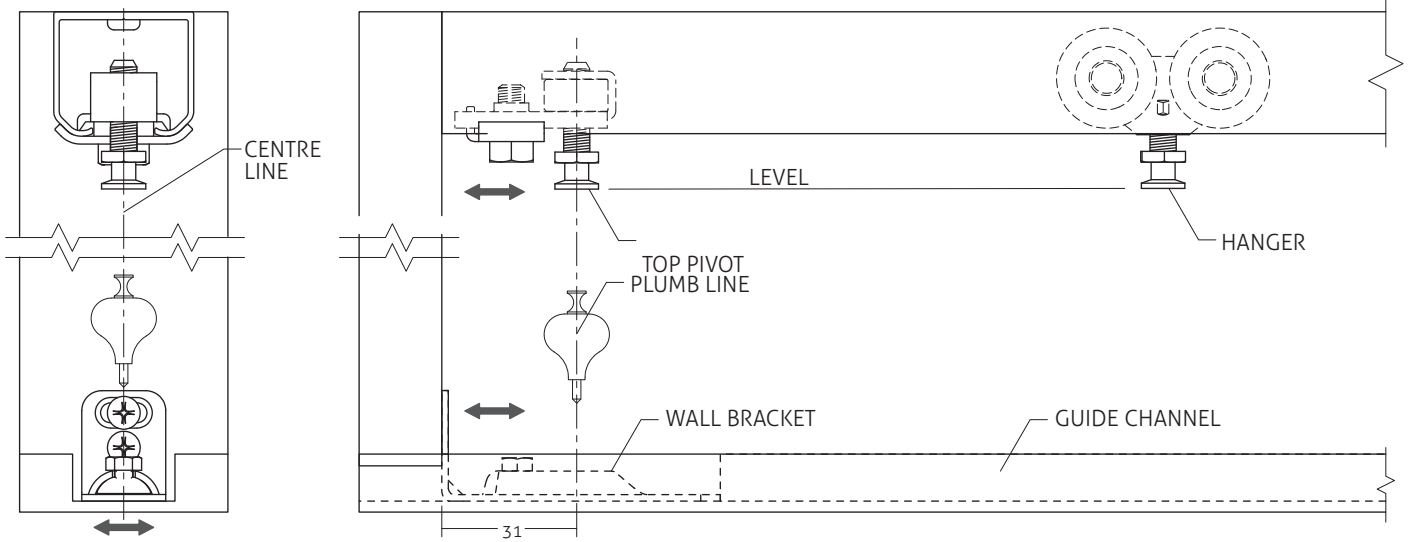


! NOTE

The opening in mounting plates must face away from closest panel end. The steel clip must open away from the direction in which the leaves fold. As shown. If installed incorrectly doors could drop out.

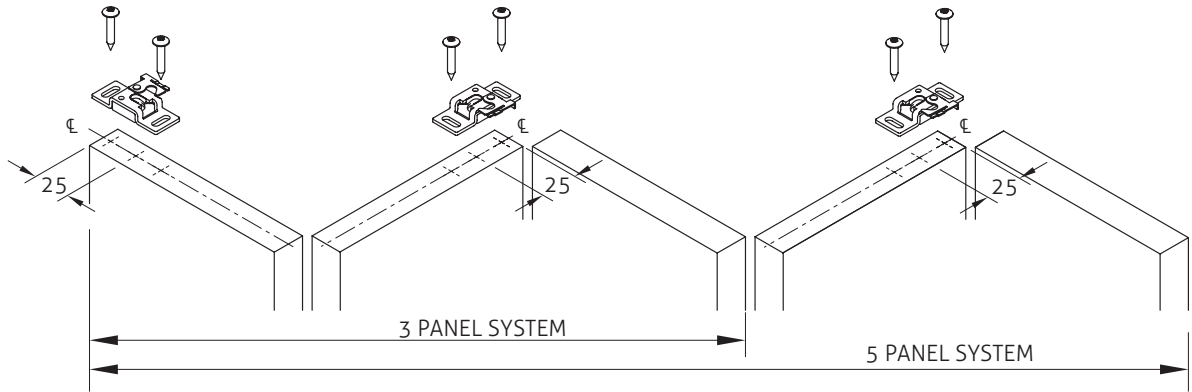
13 POSITION TOP PLATE AND WALL BRACKET

Fit top pivot into position. Centre of floor bracket to be plumb below the centre line of track. Fasten bracket using screws supplied.

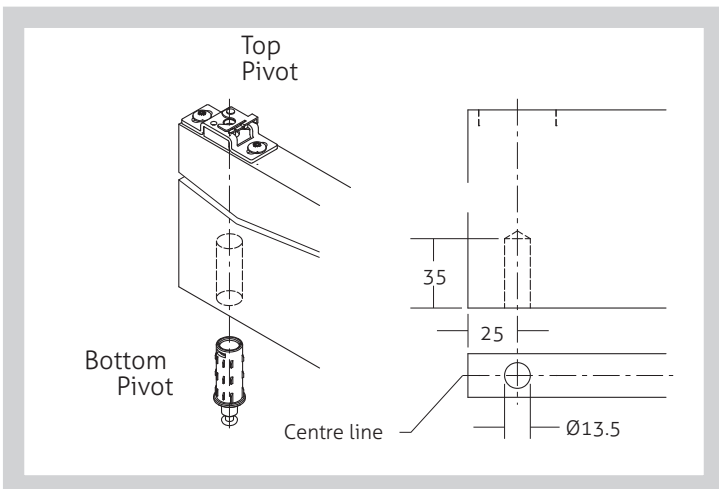


14 PRE DRILL PILOT HOLES DETAIL

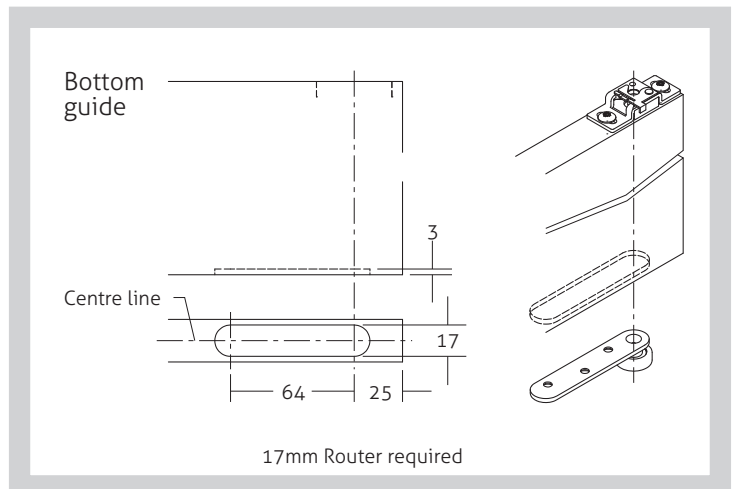
Pre-drill pilot holes diameter 3mm x 25 deep for mounting plates.



15 BOTTOM PIVOT DETAIL



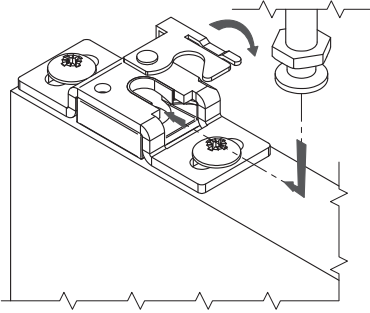
16 BOTTOM GUIDE ROUTER DETAIL



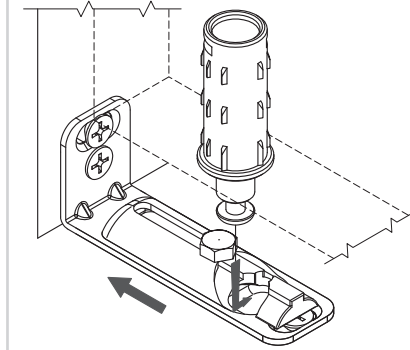
17 FIT LEAVES - DETAIL

With clips on plates open & inner retainer of wall bracket protruding

Insert bolt of pivot into plate on leaf.

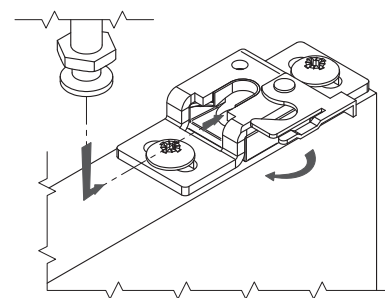


Secure bolt retainer plate.



Compress spring loaded pivot & insert into wall bracket. Slide retainer into wall bracket

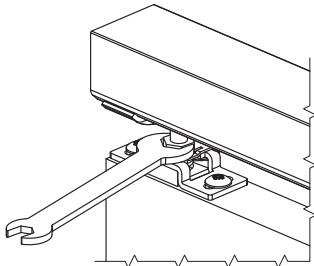
Insert bolts of hangers into plates on leaves.



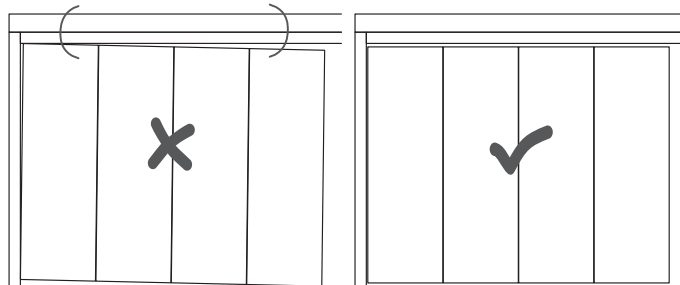
Secure bolt retainer plate.

18 ADJUST HEIGHT & ALIGN LEAVES

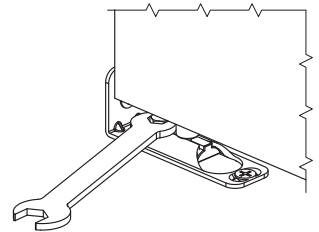
Screw Top Pivot and Hangers to adjust height.



Adjust all hangers & top pivots until leaves are level with track

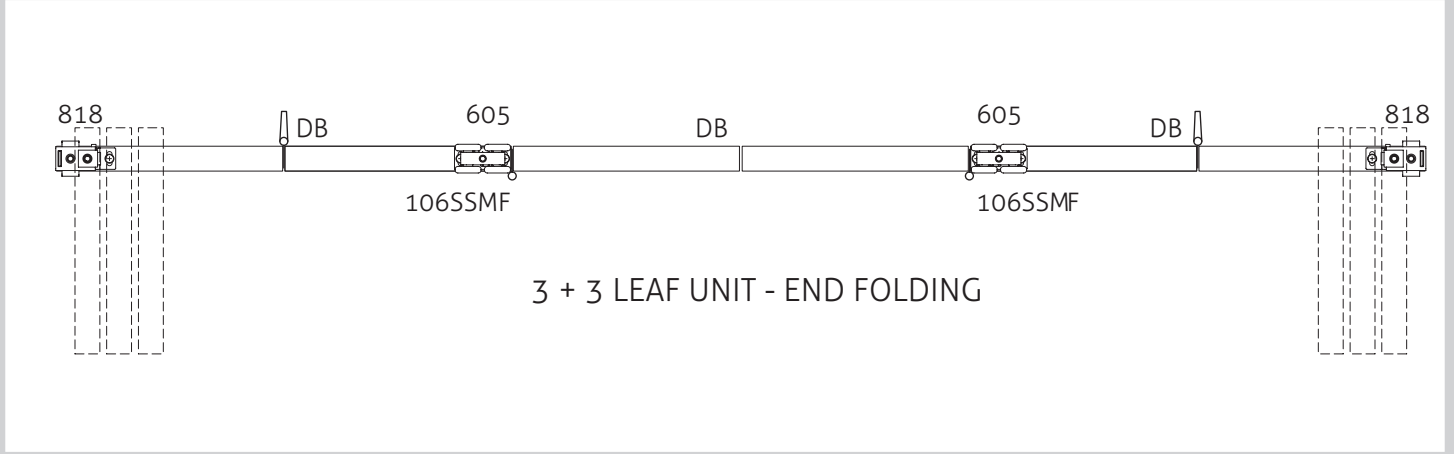


Once leaves are level lock off bottom pivot.

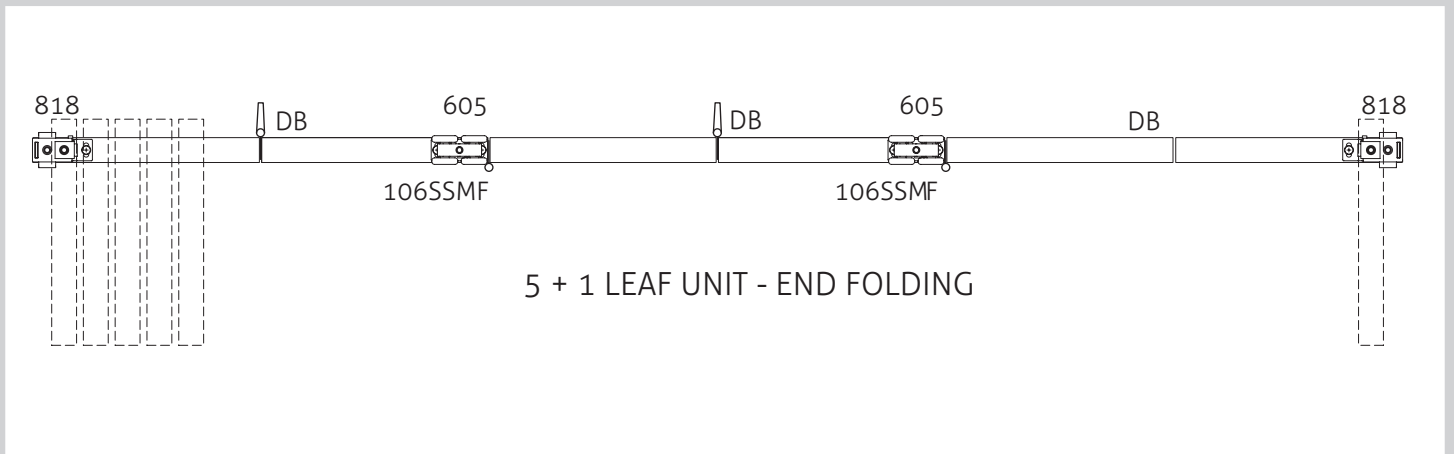


19 DOOR HARDWARE SET ORIENTATION

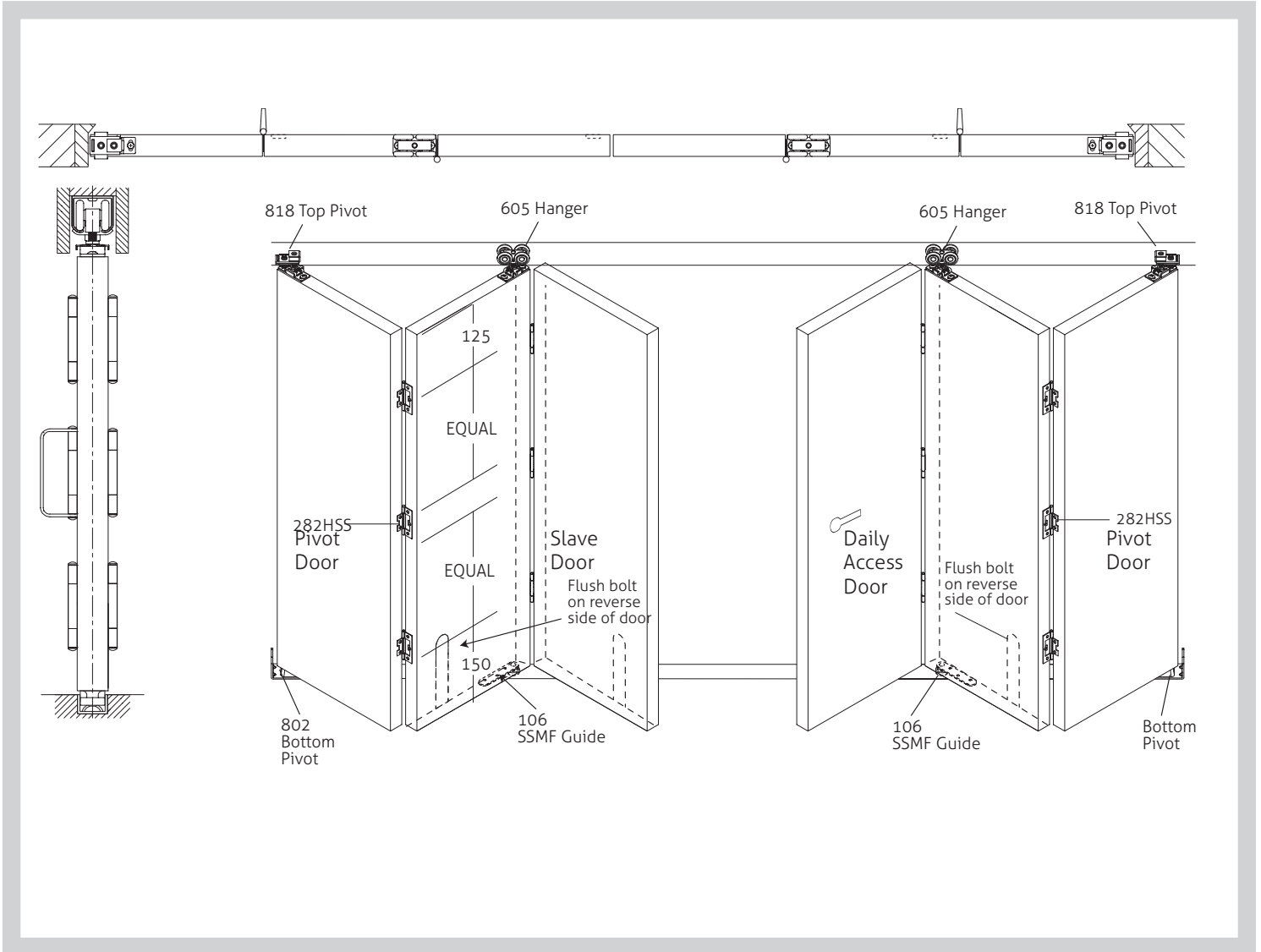
DB= Drop Bolt. Left systems shown.



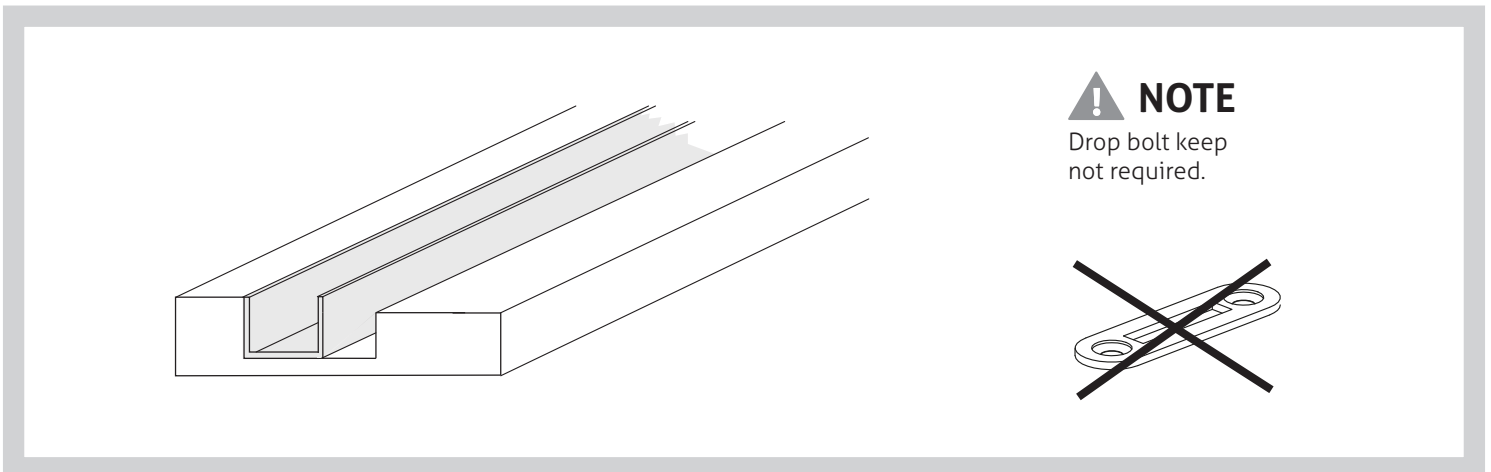
DB= Drop Bolt. Left systems shown.



20 SYSTEM OVERVIEW CHECK



21 FITTING DROP BOLT KEEPS



NOTES:

.....

.....

.....

.....

.....

.....

.....

.....

.....

.....

.....

.....

.....

.....

.....

.....

.....

.....

.....

.....

.....

.....

.....

.....

.....

D Fitting and Fixing Instructions

Roomfold **Deluxe** Range 6 Door System

CLIMA DOOR