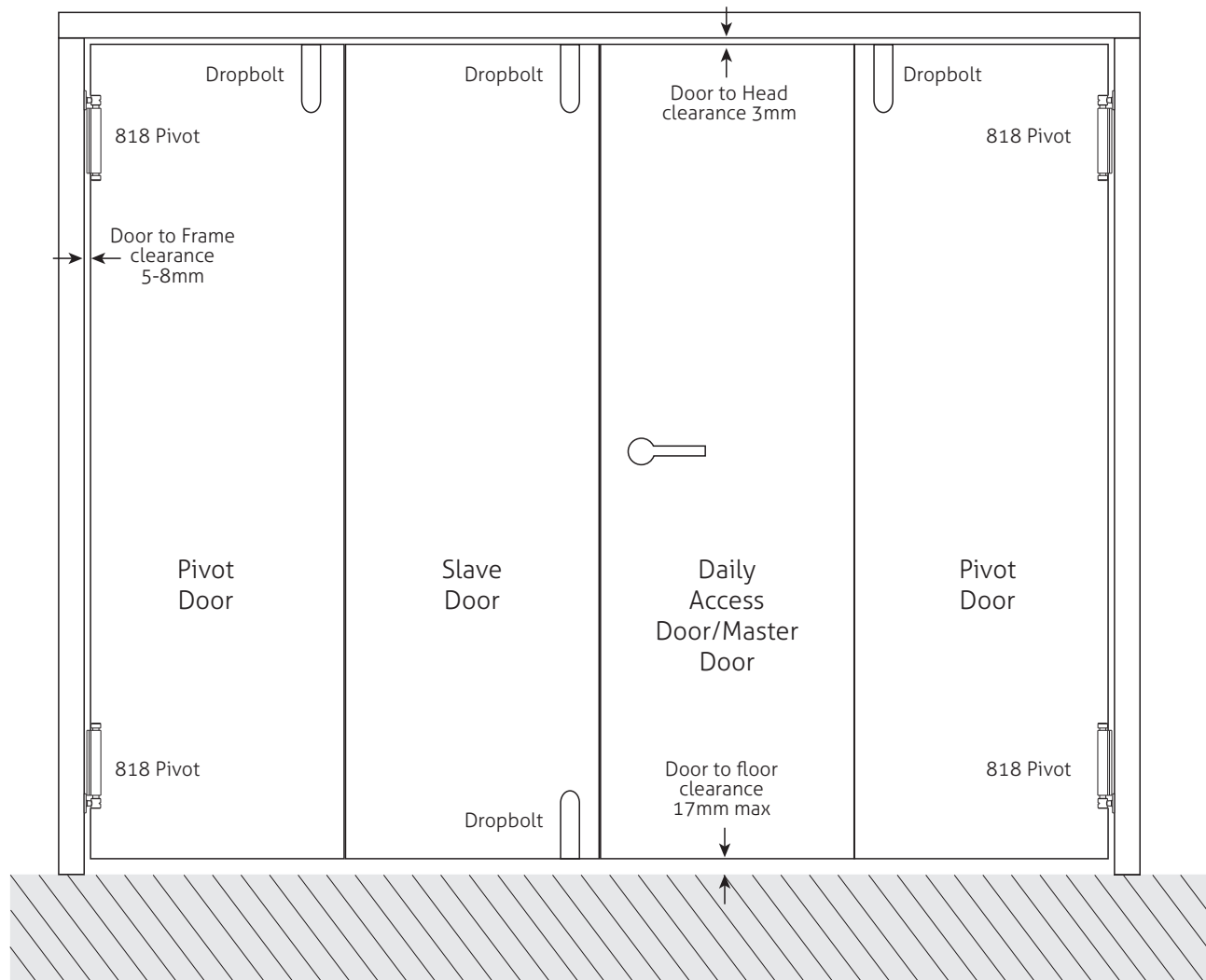


# INTERNAL FRENCHFOLD DOOR SYSTEM

3 AND 4  
Door Patterns

# CLIMADOOR

SUPERIOR QUALITY – REALISTIC PRICE



## IMPORTANT

**Please note:** You can only assemble these door configurations by using the frame provided. Your warranty will be invalid if other alternatives are used. All loads are taken by the top track to ensure smooth, light operation and long life.

Prior to installing this doorset, inspect for damage and do not proceed to fit if any noticeable damage or defect is evident. This doorset should be stored in a dry flat location before installation.

## CAUTION



**SAFETY:** This product needs to be installed by a competent tradesperson with assistance. Two people are required to carry out the installation, as some components are heavy. The outer frame requires fixing to the supporting structure above the opening. The opening **MUST** be capable of carrying the load of the doorset in all conditions.

Thank-you for purchasing your interior “French-fold” door system. This set up comes complete with Frame, Doors and all Ironmongery (except handle and latch) and is supplied in both 3 and 4 door systems to allow you to open up your rooms when required while still maintaining that interior French door look.

Offering the benefit of folding completely back against the wall this revolutionary French-fold system gives you the benefit of bi-fold doors whilst retaining a central access point between rooms

REV: 01

# CLIMADOOR

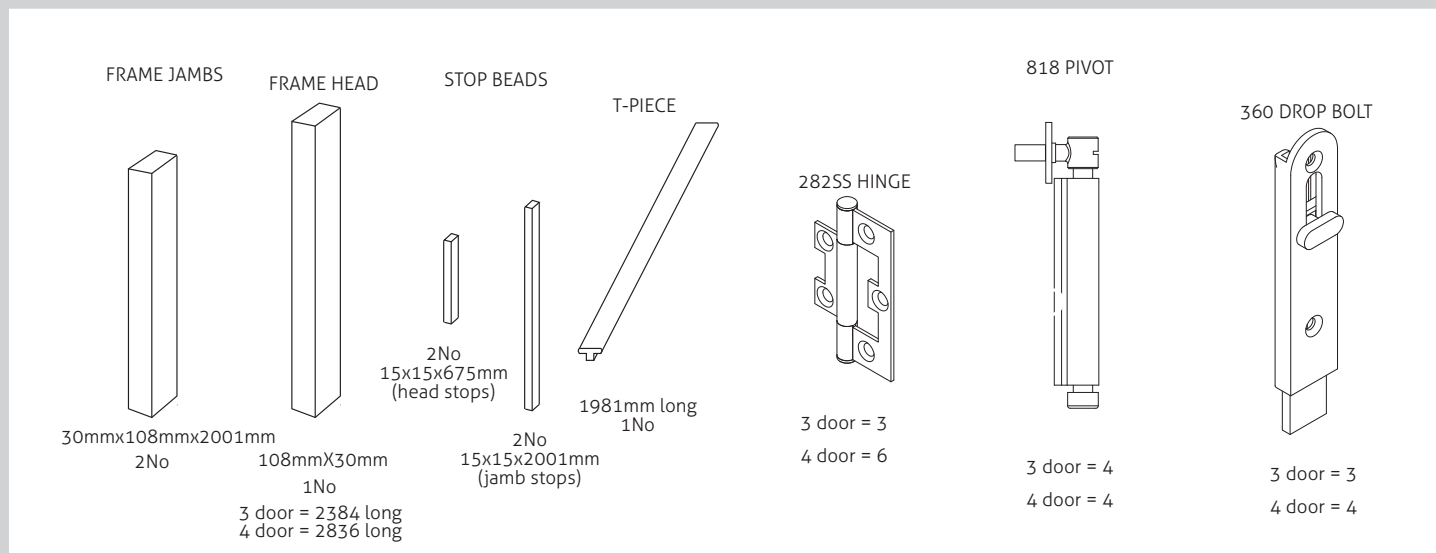
Internal Frenchfold  
3 and 4 Door System

# D Fitting and Fixing Instructions

## Frenchfold Range 3 & 4 Door Systems

### 01 INSTALLING YOUR DOORS

#### PACK COMPONENTS



### 02 FRAME SIZE AND DOOR OPTIONS

Check you have correct frame for the door pattern you have ordered. Frame pack size supplied.

No Doors / frame size ordered	Door Pattern / Size ordered	Std Frame Pack Supplied (WxH)mm	Structural Opening size recommended (WxH)mm
3 Door 1687 x 2031	2 + 1 x 533mm (21")	2384 x 2031	1697 x 2036
3 Door 1807 x 2031	2 + 1 x 573mm (22.5")	2384 x 2031	1817 x 2036
3 Door 1918 x 2031	2 + 1 x 610mm (24")	2384 x 2031	1928 x 2036
3 Door 2146 x 2031	2 + 1 x 686mm (27")	2384 x 2031	2156 x 2036
4 Door 2222 x 2031	2 + 2 x 533mm (21")	2384 x 2031	2232 x 2036
4 Door 2381 x 2031	2 + 2 x 573mm (22.5")	2384 x 2031	2391 x 2036
4 Door 2530 x 2031	2 + 2 x 610mm (24")	2836 x 2031	2540 x 2036
4 Door 2834 x 2031	2 + 2 x 686mm (27")	2836 x 2031	2844 x 2036



The recommended structural opening sizes give a clearance of 10mm on the width & 5mm on the height to allow the frame to be installed square in the opening.

**Suggestion** - Highlight the table to ensure you are working with the correct option before starting work.

### 03 CUTTING YOUR HEAD DOWN

The sizing required for your product and opening.

No Doors / frame size ordered	Door Pattern / Size ordered	Std Frame Pack Supplied (WxH)mm	Cut the head down to:
3 Door 1692 x 2031	2 + 1 x 533mm (21")	2384 x 2031	1692
3 Door 1810 x 2031	2 + 1 x 573mm (22.5")	2384 x 2031	1810
3 Door 1924 x 2031	2 + 1 x 610mm (24")	2384 x 2031	1924
3 Door 2152 x 2031	2 + 1 x 686mm (27")	2384 x 2031	2152
4 Door 2226 x 2031	2 + 2 x 533mm (21")	2384 x 2031	2226
4 Door 2384 x 2031	2 + 2 x 573mm (22.5")	2384 x 2031	No Cutting Required
4 Door 2534 x 2031	2 + 2 x 610mm (24")	2836 x 2031	2534
4 Door 2836 x 2031	2 + 2 x 686mm (27")	2836 x 2031	No Cutting Required

**Suggestion** - Highlight the table to ensure you are working with the correct option before starting work.

### 04 ASSEMBLING YOUR FRAME

Using a 3mm drill bit, drill two holes through the head into the top of the jambs approx 75mm deep. Countersink as necessary.

Fix the jambs using 2no 75mm screws both ends.

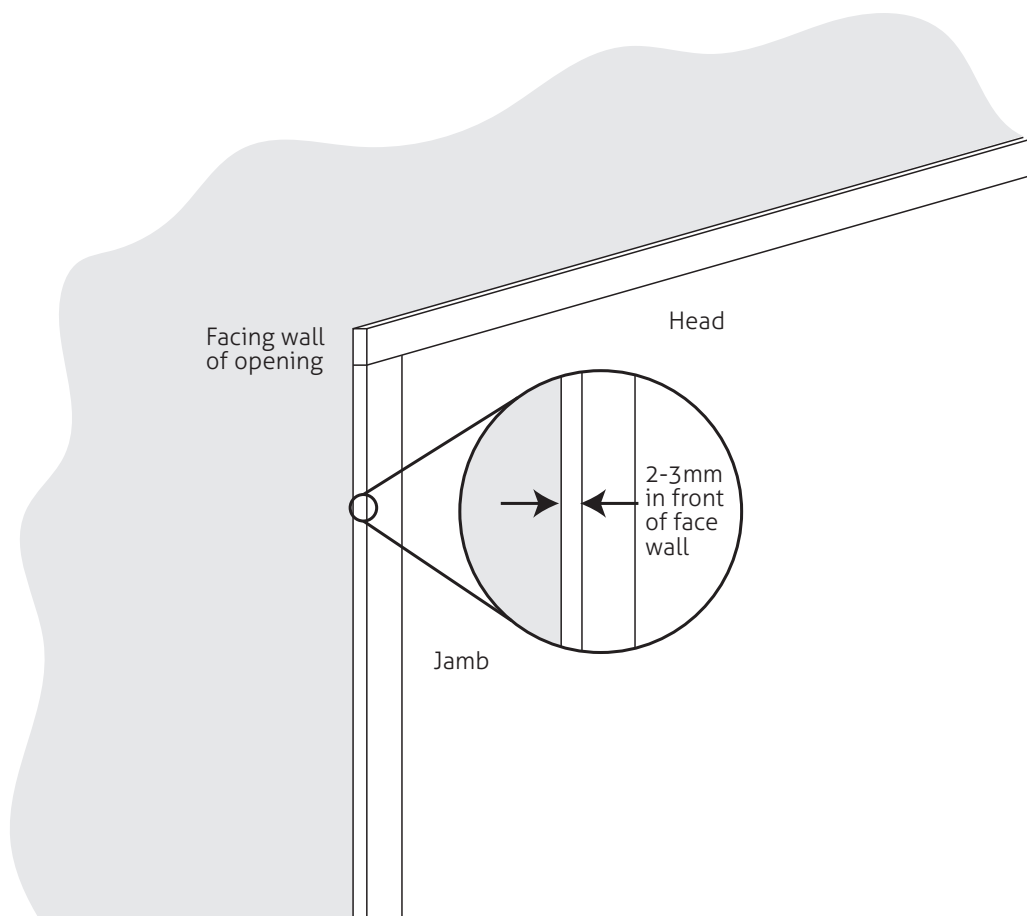
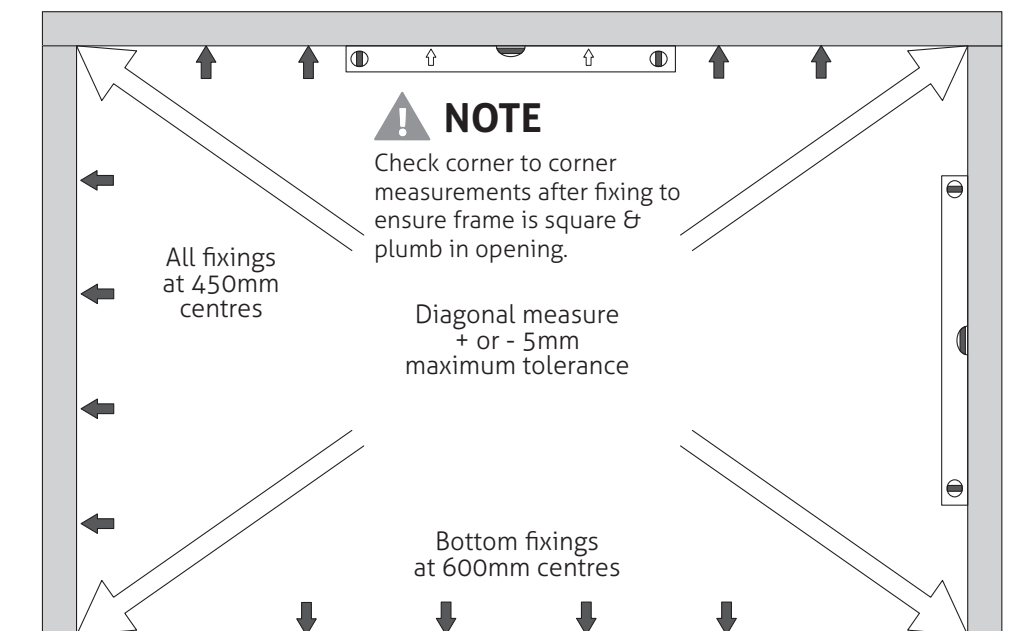
Position the 818 pivots as shown with the leading edge in line with the front edge of the frame. Carefully Counterbore into the frame using a router for the pivot housings.

## D Fitting and Fixing Instructions

### Frenchfold Range 3 & 4 Door Systems

#### 05 INSTALL YOUR FRAME IN THE OPENING

Using appropriate fixings, attach the frame in the opening with the front of the jamb face either in line, or slightly in front of the facing wall (2-3mm).



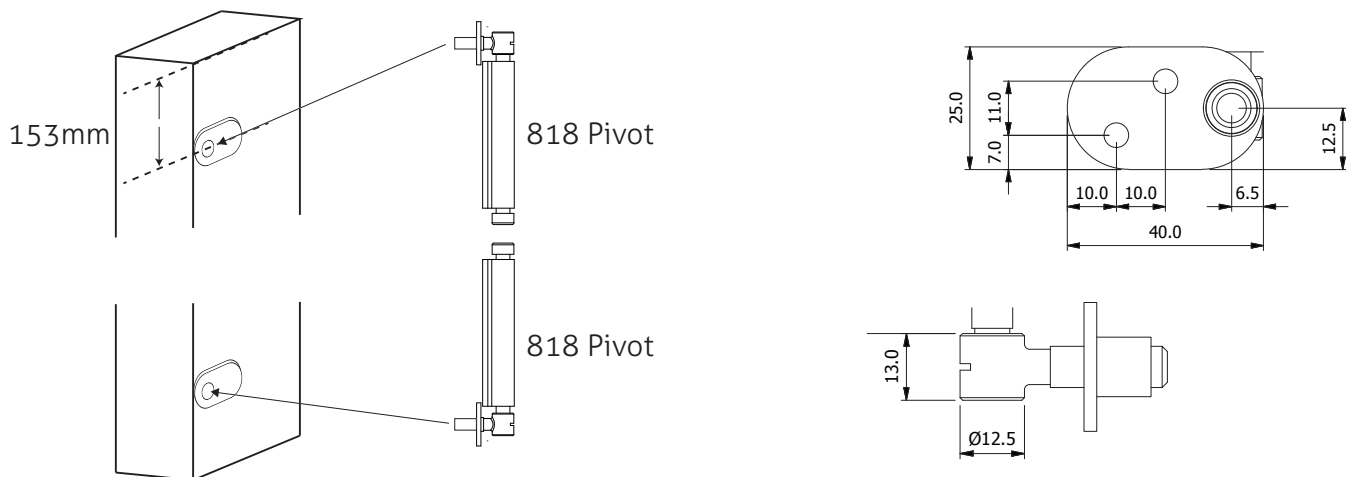
### 06 CHECK YOUR INTERNAL REBATE MEASUREMENT

Before proceeding, check the internal frame rebate dimensions to ensure they are correct & adjust frame as necessary.

No Doors / frame size ordered	Door Pattern / Size ordered	Internal Rebate Size Req:
3 Door 1692 x 2031	2 + 1 x 533mm (21")	1632
3 Door 1810 x 2031	2 + 1 x 573mm (22.5")	1750
3 Door 1924 x 2031	2 + 1 x 610mm (24")	1864
3 Door 2152 x 2031	2 + 1 x 686mm (27")	2092
4 Door 2226 x 2031	2 + 2 x 533mm (21")	2166
4 Door 2384 x 2031	2 + 2 x 573mm (22.5")	2324
4 Door 2534 x 2031	2 + 2 x 610mm (24")	2474
4 Door 2836 x 2031	2 + 2 x 686mm (27")	2776

### 07 INSTALLING YOUR DOORS

A: Fit the pivot hinges into pre-machined holes in the frame jambs with each pivot pin facing each other (reversing the hinge flag as necessary by unscrewing the bolt through the hinge).



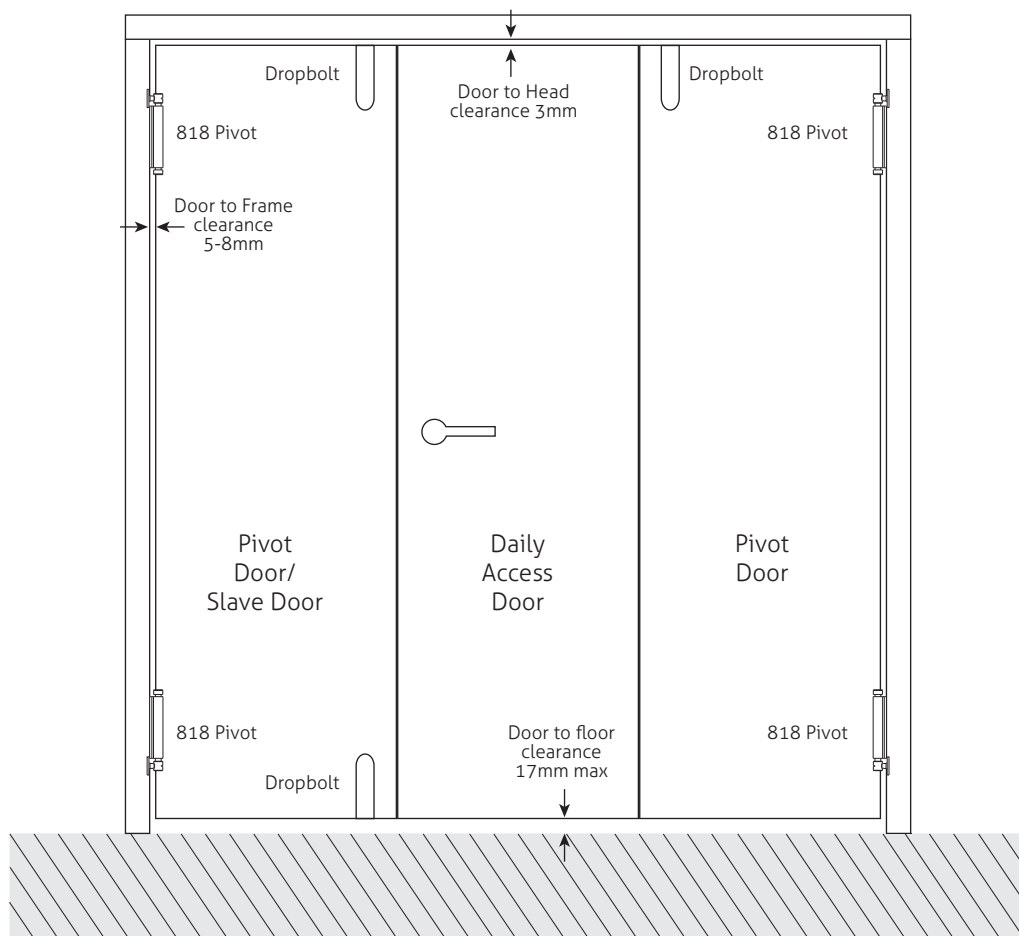
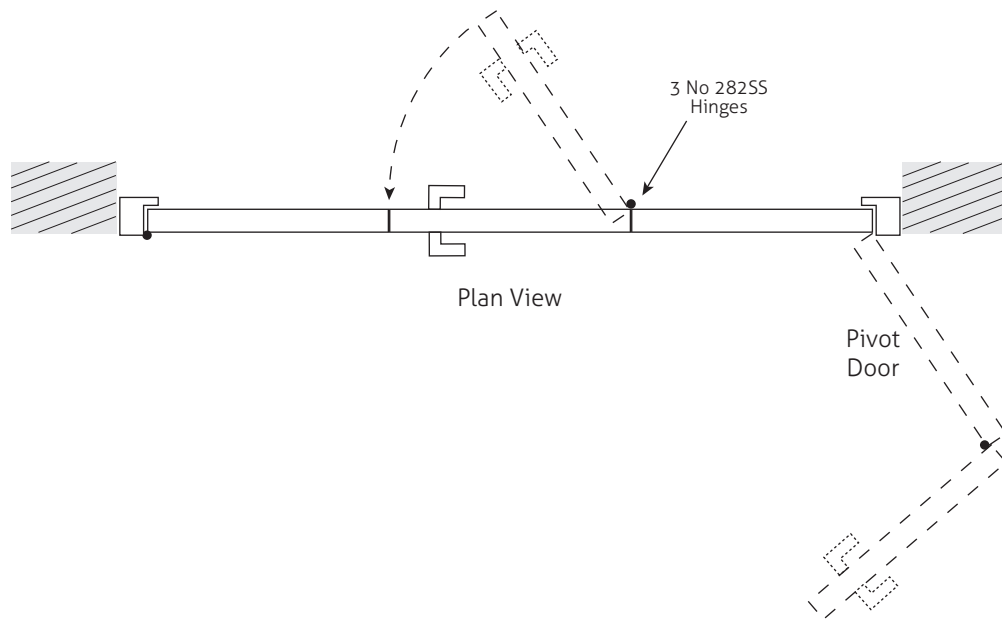
B: Screw in the main body of the bolt into the mounting plate until the back of the hinge flag is approx 1mm from jamb face for optimum adjustment.

# D Fitting and Fixing Instructions

Frenchfold Range 3 & 4 Door Systems

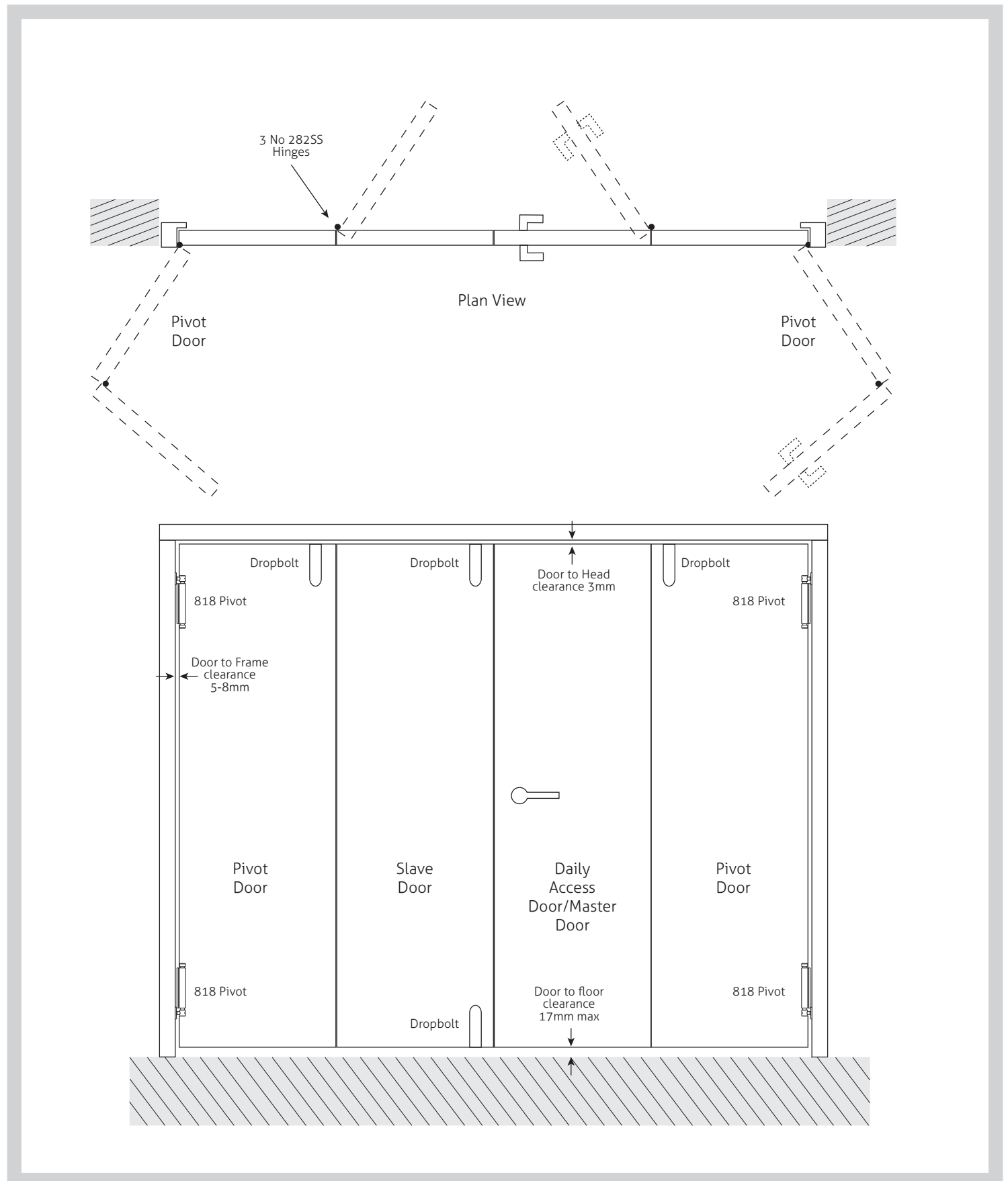
## 08 FRENCH FOLD - 3 DOOR

Fit drop bolts and door overview of door operation.



**09 FRENCH FOLD - 4 DOOR**

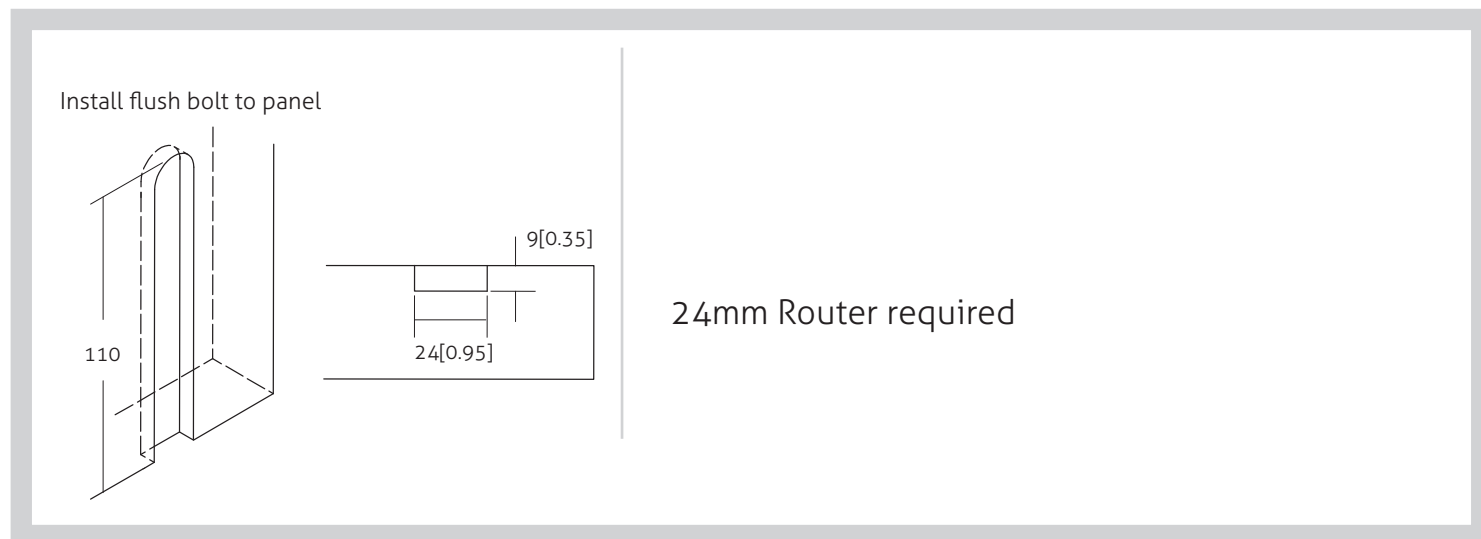
Fit drop bolts and door overview of door operation.



## D Fitting and Fixing Instructions

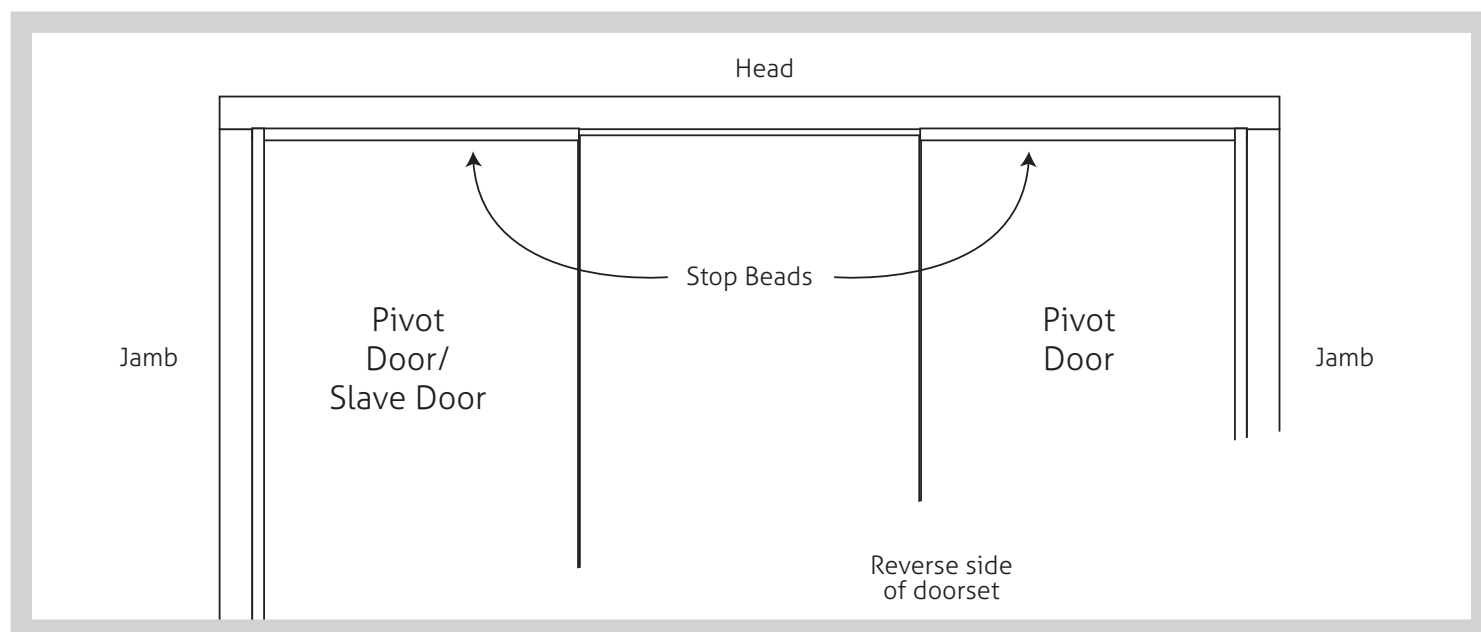
Frenchfold Range 3 & 4 Door Systems

### 10 FLUSH BOLT MACHINING



### 11 ATTACHING THE DOORS

- Attach each pivot door to the pivot hinges leaving a 3mm gap at the top of the door between the door & frame-head.
- Using 3 No face fix 282SS hinges attach the daily access door (& slave door) to the pivot doors being careful to place them on the correct edge of the doors (refer door overview arrangements)
- Fit the T piece section to the meeting stile of the slave door to act as a door stop for the master door.
- Adjust the doors as necessary to ensure they are square and operate properly.
- Trim the door stop beads to the width of the pivot door and attach to the frame head to stop the pivot door closing past 180°.



- Once the door stops are fitted, close the doors and mark out positions of the drop bolt keeps on the head, face fix using screws provided (dust box not required). Repeat on any flush bolts for the bottom of the doors.





**D Fitting and Fixing Instructions**

Frenchfold Range 3 & 4 Door Systems

NOTES:

Dotted lines for handwritten notes.





**CLIMADOOR**