

Brio®

Brio® where ideas unfold

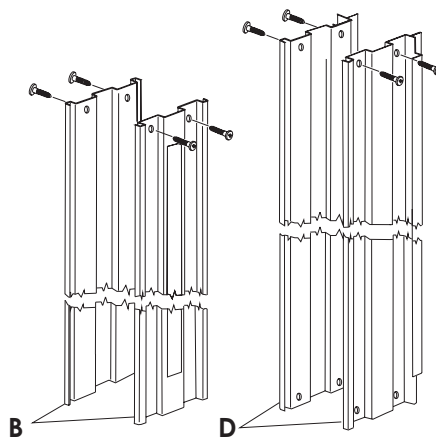
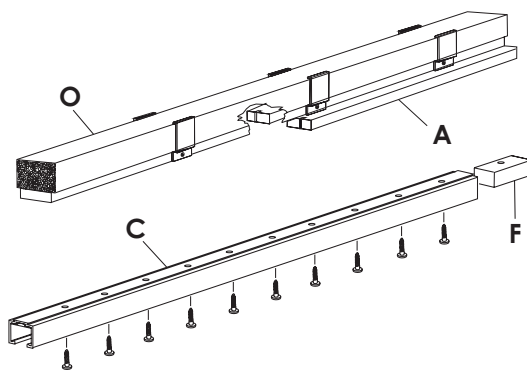
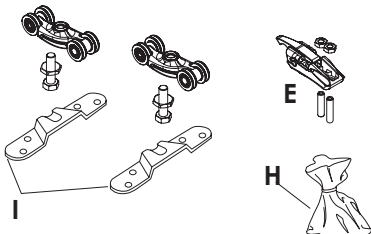
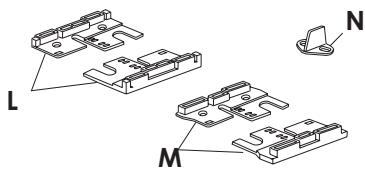
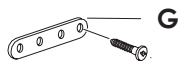
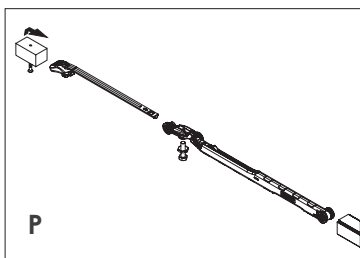
## Brio® Pocket Slide 80

Pocket Door System for installation into new stud walls



## KIT CONTENTS

The universal **Pocket Slide 80** contains all the components for the preparation and finishing of the framework together with the sliding gear for installation onto your chosen door.



- A** Black laminated wooden beam
- B** Rear vertical profiles (x2)
- C** Black anodised track
- D** Front vertical profiles (x2)
- E** Adjustable stop
- F** Timber spacer
- G** Joining plate for double door
- H** Fixing pack
- I** Rollers with adjustable clamps (80kg capacity)
- L** Back spacer
- M** Front spacer
- N** Lower door guide
- O** Polystyrene packer
- P** Soft Close kit (optional)
- Q** Optional Architrave kit (not shown)



# Sliding Pocket Door for Plasterboard Stud Walls

**Pocket Slide 80** is a simple and efficient patented system for installing a pocket sliding door within a metal or timber stud wall. The kit is easily adaptable on site to suit a large range of door widths and heights and is available for single or double doors.

An optional Architrave Kit is available which fits neatly to the existing pocket door frame profile. It features seals to help reduce draught, light and noise pollution between rooms.

**Maximum panel weight - 80kg**

**Maximum panel width - 926mm (leaf width)**

**Maximum panel height - 2040mm (leaf height)**

## HIGH QUALITY MULTILAYER WOODEN BEAM

- Absorbs vibrations for quiet operation
- Avoids hairline cracks in plaster finish
- Anodized black finish provides a neat integration into the wall structure
- Facilitates the installation of the framing profiles with a strong and effective anchoring system

## SLIDING SYSTEM

- U-shaped aluminium track for high stability
- Roller body in Zamak and Delrin wheels with ground and shielded bearings for durability and smooth slide action
- Precise and long-lasting slide - tested in accordance with EN 1527
- Built-in adjustable stopper
- Optional soft close kit
- Optional architrave kit

## CERTIFICATED QUALITY

- Galvanised vertical profiles with 200gr/m<sup>2</sup> total anti-corrosive protection

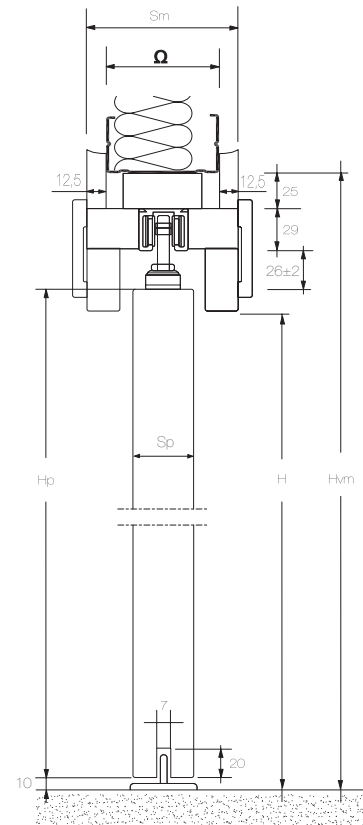
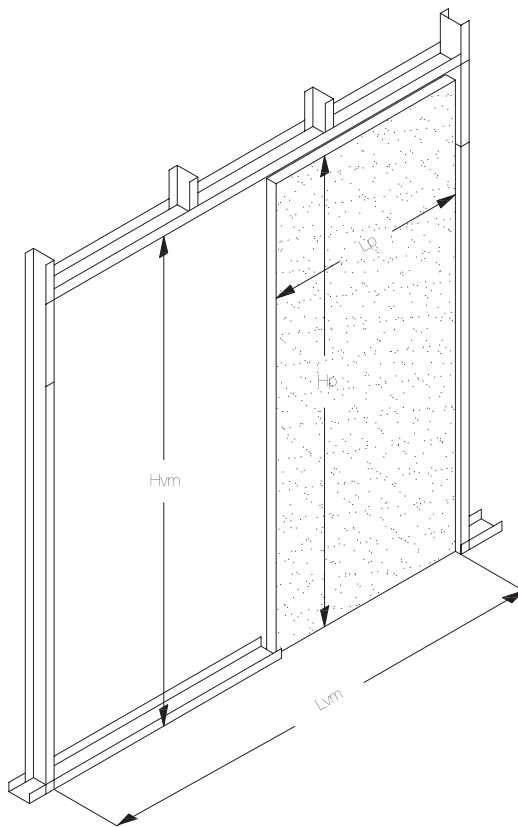
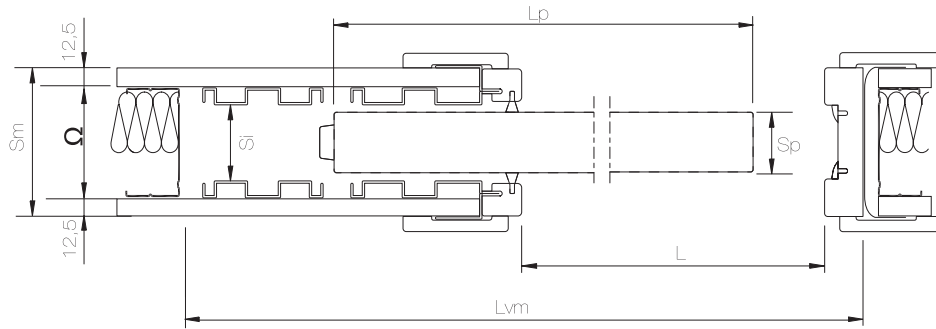
## RAPID INSTALLATION OF FRONT PROFILE

- The shape of the front profile facilitates a rapid installation of the gypsum board panels
- Produces a stiff and stable wall structure

## INSTALLATION

- **Pocket Slide 80** is the only Universal fitting kit
- Covers all door widths from 626 to 926mm
- Installs directly into the stud wall structure
- Can be installed by one person

# Single Pocket Door Kits



## How to Order

For single door applications please order the components as listed below.

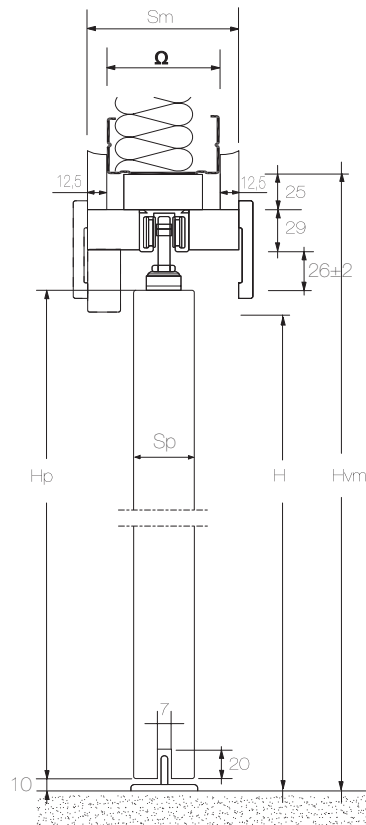
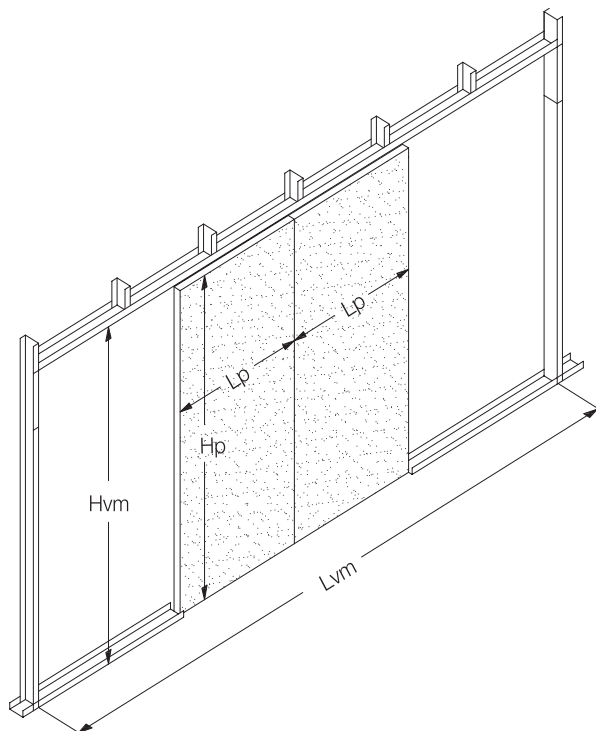
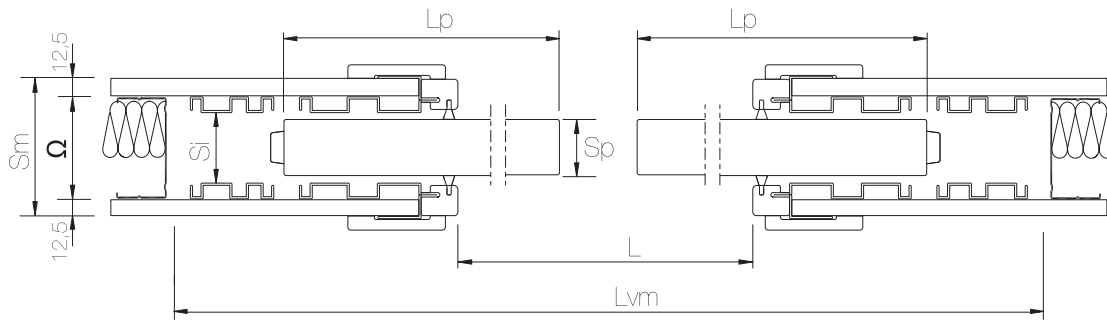
Finished wall size [Sm]	Internal size [Si]	Max. door thickness [Sp]	Max. door weight
100mm	52mm	44mm	80kg

Art No.	Single door kit	Order Quantity
PS80-20/1	Single door kit 626 - 926mm (w) x 2040mm (h)	1
PS80-ARCH	Architrave Kit (optional)	1

Art No.	Single door kit with Softclose	Order Quantity
PS80-20/1	Single door kit 626 - 926mm (w) x 2040mm (h)	1
PS80SCK	Upper roller with accessory	1

Door/panel size Width [Lp] x Height [Hp]	Wall opening size Width [Lvm] x Height [Hvm]
626 x 1981mm	1279 x 2068mm
626 x 2032mm	1279 x 2121mm
626 x 2040mm	1279 x 2131mm
726 x 1981mm	1479 x 2068mm
726 x 2032mm	1479 x 2121mm
726 x 2040mm	1479 x 2131mm
826 x 1981mm	1679 x 2068mm
826 x 2032mm	1679 x 2121mm
826 x 2040mm	1679 x 2131mm
926 x 1981mm	1879 x 2068mm
926 x 2032mm	1879 x 2121mm
926 x 2040mm	1879 x 2131mm

# Double Pocket Door Kits



## How to Order

For double door applications please order the components as listed below.

Finished wall size [Sm]	Internal size [SI]	Max. door thickness [Sp]	Max. door weight
100mm	52mm	44mm	80kg

Art No.	Double door kit 1252 - 1852mm width	Order Quantity
PS80-20/1	Double door kit 626 - 926mm (w) x 2040mm (h)	2
PS80-SYNK	Door kit for synchronised double door	1

Door/panel size Width [Lp] x Height [Hp]	Wall opening size Width [Lvm] x Height [Hvm]
(2 x) 626 x 1981mm	2505 x 2068mm
(2 x) 626 x 2032mm	2505 x 2121mm
(2 x) 626 x 2040mm	2505 x 2131mm
(2 x) 726 x 1981mm	2905 x 2068mm
(2 x) 726 x 2032mm	2905 x 2121mm
(2 x) 726 x 2040mm	2905 x 2131mm
(2 x) 826 x 1981mm	3305 x 2068mm
(2 x) 826 x 2032mm	3305 x 2121mm
(2 x) 826 x 2040mm	3305 x 2131mm
(2 x) 926 x 1981mm	3705 x 2068mm
(2 x) 926 x 2032mm	3705 x 2121mm
(2 x) 926 x 2040mm	3705 x 2131mm

Art No.	Double door kit with Softclose 1252 - 1852mm width	Order Quantity
PS80-20/1	Double door kit 626 - 926mm (w) x 2040mm (h)	2
PS80SCK	Upper roller with accessory	2
PS80-SYNK	Door kit for synchronised double door	1

# Brio®

Brio – UK  
35 Rocky Lane, Aston, Birmingham B6 5RQ, United Kingdom  
Phone +44 (0) 121 380 2400  
www.briouk.com  
email: brio.sales.uk@allegion.com

## About Allegion

Allegion (NYSE: ALLE) is a global pioneer in seamless access, with leading brands like CISA®, Interflex®, LCN®, Schlage®, SimonsVoss® and Von Duprin®. Focusing on security around the door and adjacent areas, Allegion secures people and assets with a range of solutions for homes, businesses, schools and institutions. Allegion had \$2.7 billion in revenue in 2018, and sells products in almost 130 countries.

For more, visit [allegion.com](http://allegion.com)



AXA ■  BRICARD ■ Brio ■ Briton ■  CISA  
NORMBAU ■ SimonsVoss  
technologies